

SISO HINGES



- high quality furniture fittings



The technical descriptions and dimensions in this catalogue, also those with the photographs and drawings, are not binding. We reserve the right to make design improvements.

We bear no liability for any misprints or other errors that might occur in the production of the catalogue.

SISO A/S tager forbehold for trykfejl samt ændringer i produktets specifikationer.

Für Druckfehler und Irrtümer ist jede Haftung ausgeschlossen. Produktänderungen behalten wir uns vor.



- high quality furniture fittings

SISO A/S
MILEPARKEN 11
DK - 2740 SKOVLUNDE
(COPENHAGEN)
DENMARK
PHONE: (+45) 45 830 900

DISTRIBUTOR

Cabinet hinges for wood

- Cup hinge - 2-way
- Cup hinge - soft close
- Door dampers
- PTO (push to open) & touch latches
- "Easy" cabinet hinge
- Cabinet hinge for chamfered edges
- Hinges with visible axle
- Butt & Flap hinges
- Flush & pin hinges



4-13

14-17

18-19

20-23

24-26

27

28-29

30-33

34

Caravan hinges

35

Cabinet hinges "3D" for alu frames & wood

- Cabinet Hinge "3D" – soft close



36-37

Cabinet hinges for alu frames

- Hinges - soft close



38-39

Cabinet pivot hinge "Hodor" for wood & glass

40-41



Cabinet hinges for glass

- Cup hinges - 2-way
- Cup hinges - soft close
- Hinges for drilling



42-43

44-47

48-51

"Obsession" hinge concept f/8-10mm glass

52-54



"Bonsai" cabinet hinges f/12 mm panel

55

- Hinges for uv-glue
- Hinges for "no drilling"



56-59

60-63

Small Box Fittings

- Small Box Hinges
- Small Box Clasps, Locks & Magnets



64

65

Table hinges

- Concealed hinges
- Butler's tray hinges



66-69

70

Self closing door hinges in SS-304

71

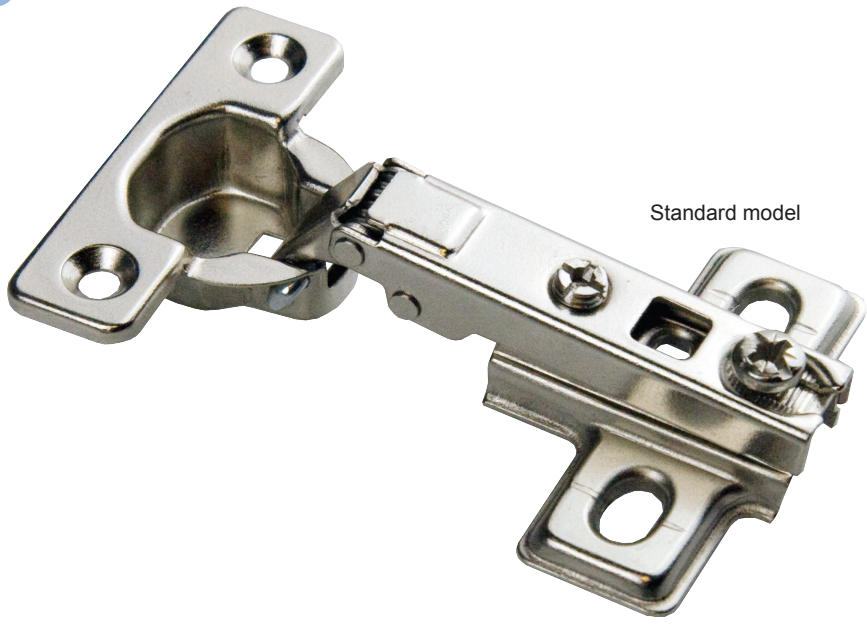


Door hinges (HEAVY DUTY)

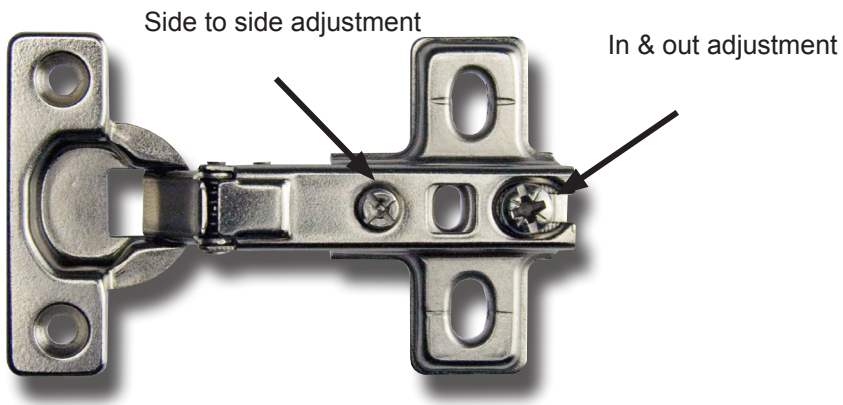
72-76



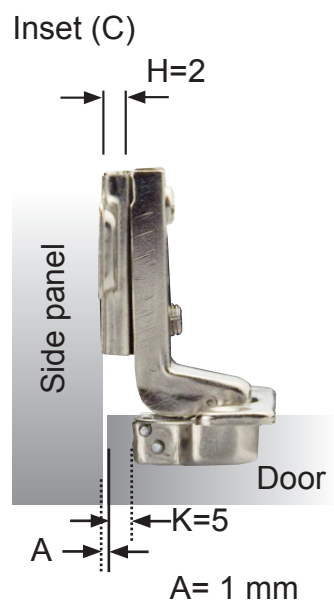
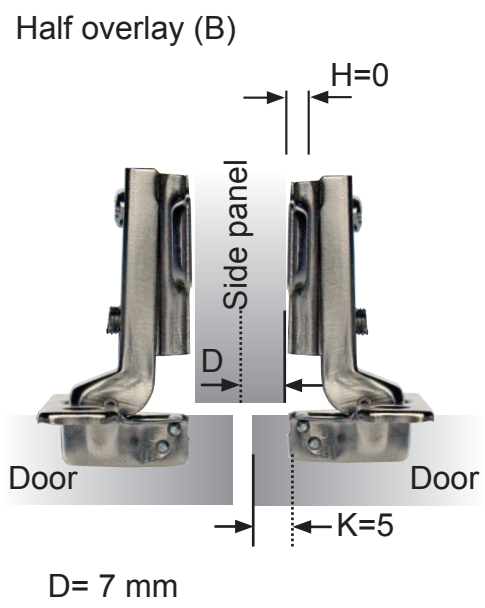
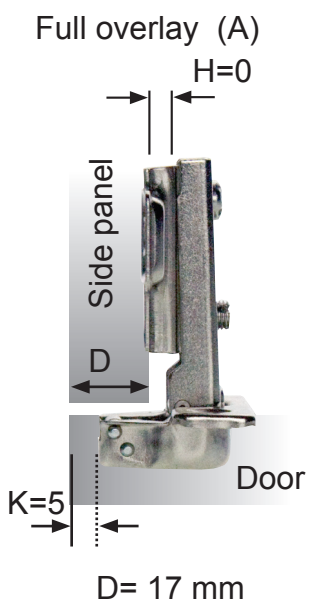
MINI HINGE Ø 26 MM -98°



**2-WAY
SLIDE-ON
FI 12-22 MM PANEL
Ø26 MM CUP**

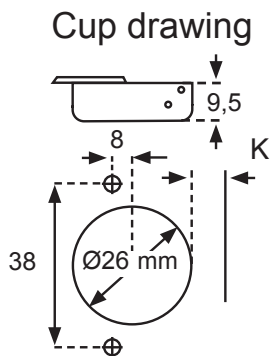


- H = height of mounting plate
- D = required door overlay
- K = drilling distance from the edge of door to the edge of the cup hole
- A = gap between door and sidepanel



MINI HINGE Ø 26 MM -98°

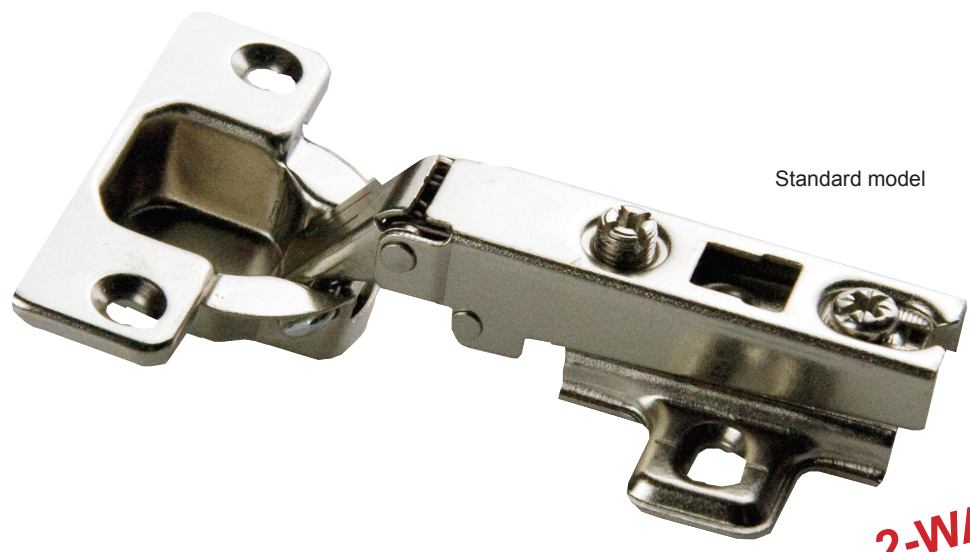
- high quality furniture fittings



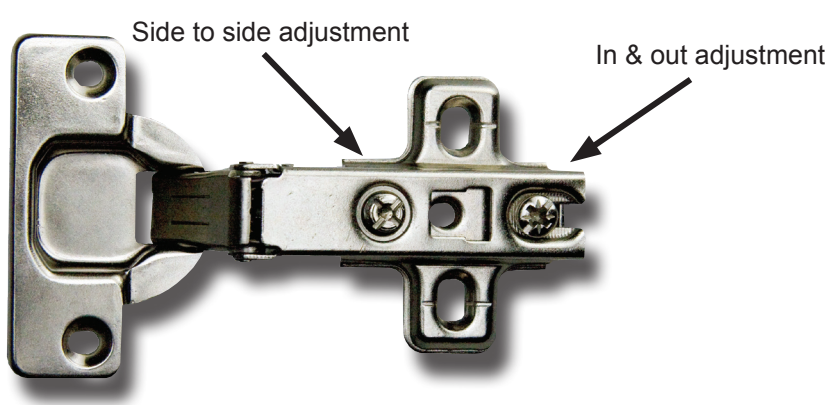
Opening angle: 98°
 Depth of hinge cup: 9,5 mm
 Diameter of hinge cup: 26 mm
 Mounting of hinge: Screw on: c.c.38 mm
 Possible drilling distances on the door (K): 3-6 mm
 Door thickness: 12-22 mm

Steel - Nickel Plated		Item No.	D: Overlay calculations	A: Gap calculations																							
<p>Full overlay (A)</p>	<p>$H = 12 + K - D$</p>	15.02.640 Incl. mounting plate H = 0 SISO logo in cup	<table border="1"> <tr> <th>D \ K</th> <th>3</th> <th>4</th> <th>5</th> <th>6</th> </tr> <tr> <th>0</th> <td>15</td> <td>16</td> <td>17</td> <td>18</td> </tr> <tr> <th>2</th> <td>13</td> <td>14</td> <td>15</td> <td>16</td> </tr> <tr> <th>4</th> <td>11</td> <td>12</td> <td>13</td> <td>14</td> </tr> </table>	D \ K	3	4	5	6	0	15	16	17	18	2	13	14	15	16	4	11	12	13	14				
D \ K	3	4	5	6																							
0	15	16	17	18																							
2	13	14	15	16																							
4	11	12	13	14																							
<p>Half overlay (B)</p>	<p>$H = 2 + K - D$</p>	15.02.641 Incl. mounting plate H = 0 SISO logo in cup	<table border="1"> <tr> <th>D \ K</th> <th>3</th> <th>4</th> <th>5</th> <th>6</th> </tr> <tr> <th>0</th> <td>5</td> <td>6</td> <td>7</td> <td>8</td> </tr> <tr> <th>2</th> <td>3</td> <td>4</td> <td>5</td> <td>6</td> </tr> <tr> <th>4</th> <td>1</td> <td>2</td> <td>3</td> <td>4</td> </tr> </table>	D \ K	3	4	5	6	0	5	6	7	8	2	3	4	5	6	4	1	2	3	4				
D \ K	3	4	5	6																							
0	5	6	7	8																							
2	3	4	5	6																							
4	1	2	3	4																							
<p>Inset (C)</p>	<p>$H = -4 + K + A$</p>	15.02.642 Incl. mounting plate H = 2 SISO logo in cup	<table border="1"> <tr> <th>A \ K</th> <th>3</th> <th>4</th> <th>5</th> <th>6</th> </tr> <tr> <th>0</th> <td>1</td> <td>0</td> <td>-1</td> <td>-2</td> </tr> <tr> <th>2</th> <td>3</td> <td>2</td> <td>1</td> <td>0</td> </tr> <tr> <th>4</th> <td>1</td> <td>2</td> <td>3</td> <td>4</td> </tr> </table>	A \ K	3	4	5	6	0	1	0	-1	-2	2	3	2	1	0	4	1	2	3	4				
A \ K	3	4	5	6																							
0	1	0	-1	-2																							
2	3	2	1	0																							
4	1	2	3	4																							
	<p>Cabinet edge</p>	H = 0/2 f/chipboard screws Clip-on	Delivered as standard mounting plate with all hinges. Chipboard screws to be ordered separately.																								
	<p>Cabinet edge</p>	15.02.646 H = 2 f/euro screws Clip-on	To be ordered separately if euro screw mounting is wanted. Pre-mounted euro screws included.																								

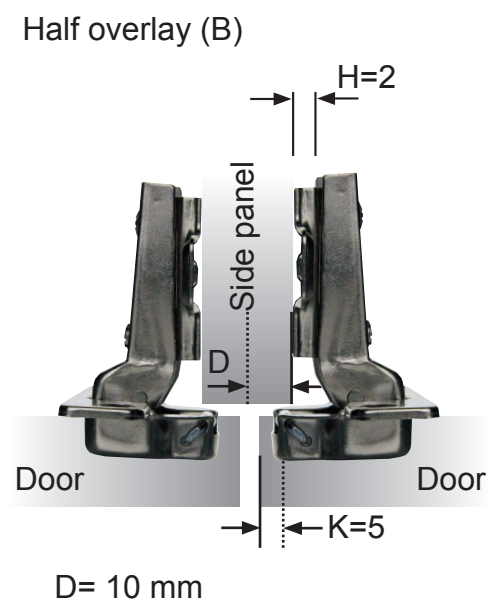
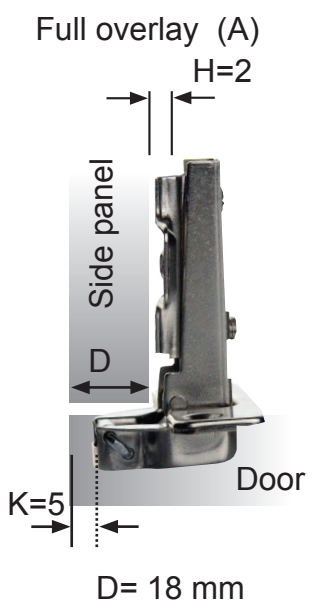
MAXI HINGE Ø35 MM - 110° - 2-WAY



**2-WAY
Slide-on
FI 14-24 MM PANEL
Ø35 MM CUP**



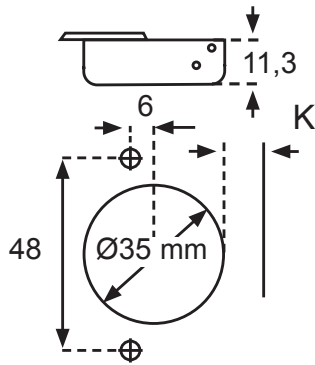
H = height of mounting plate
 D = required door overlay
 K = drilling distance from the edge of door to the edge of the cup hole
 A = gap between door and sidepanel




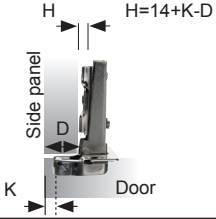

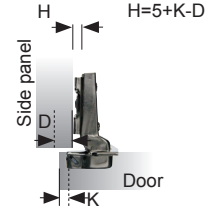

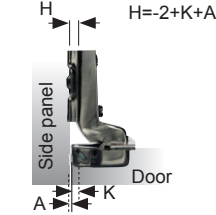

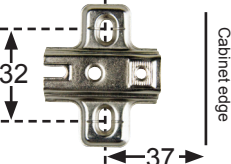

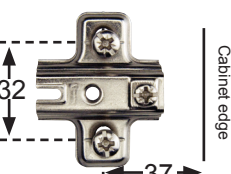
MAXI HINGE Ø35 MM - 110° - 2-WAY

- high quality furniture fittings

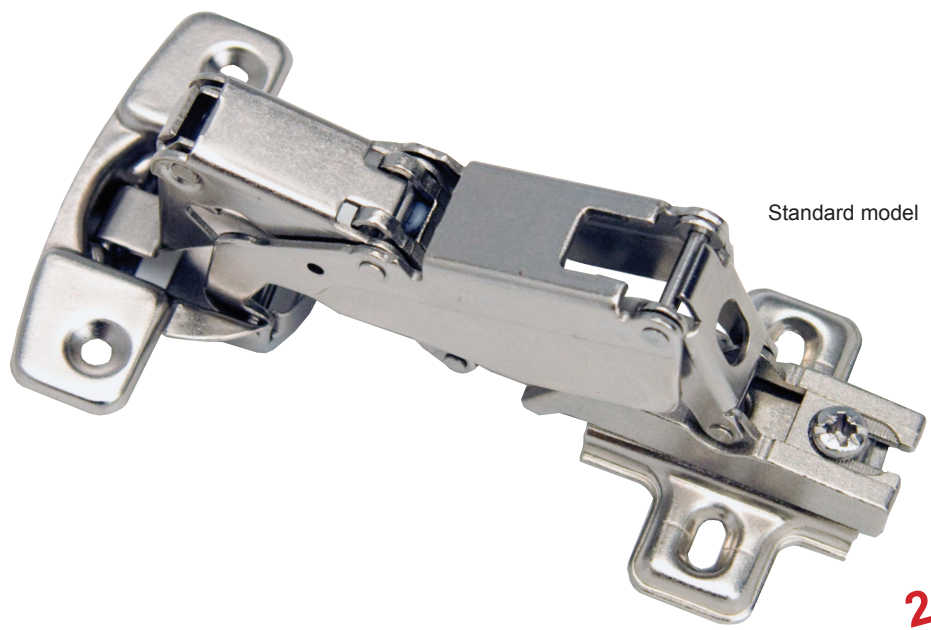
Cup drawing



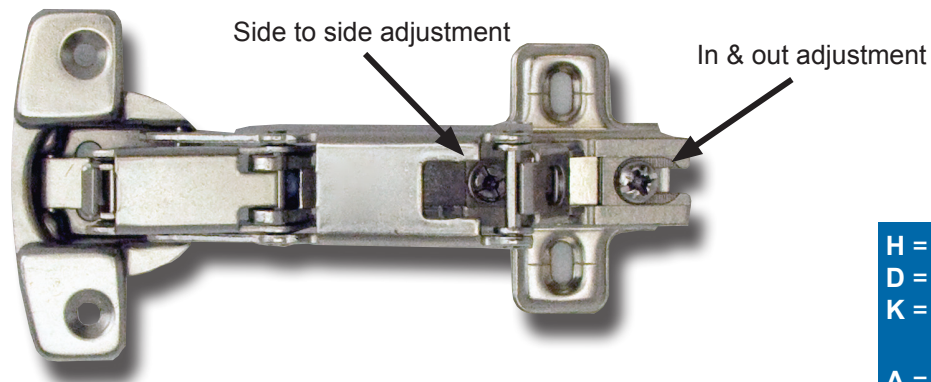
Opening angle: 110°
 Depth of hinge cup: 11,3 mm
 Diameter of hinge cup: 35 mm
 Mounting of hinge: Screw on: c.c.48 mm
 Possible drilling distances on the door (K): 3-7 mm
 Door thickness: 14-24 mm

Steel - Nickel Plated		Item No.	D: Overlay calculations	A: Gap calculations																												
Full overlay (A) 		15.03.670 Incl. mounting plate H = 2 SISO logo in cup	<table border="1"> <tr> <th>D \ K</th> <th>3</th> <th>4</th> <th>5</th> <th>6</th> <th>7</th> </tr> <tr> <th>0</th> <td>17</td> <td>18</td> <td>19</td> <td>20</td> <td>21</td> </tr> <tr> <th>2</th> <td>15</td> <td>16</td> <td>17</td> <td>18</td> <td>19</td> </tr> <tr> <th>4</th> <td>13</td> <td>14</td> <td>15</td> <td>16</td> <td>17</td> </tr> </table>	D \ K	3	4	5	6	7	0	17	18	19	20	21	2	15	16	17	18	19	4	13	14	15	16	17					
D \ K	3	4	5	6	7																											
0	17	18	19	20	21																											
2	15	16	17	18	19																											
4	13	14	15	16	17																											
Half overlay (B) 		15.03.675 Incl. mounting plate H = 2 SISO logo in cup	<table border="1"> <tr> <th>D \ K</th> <th>3</th> <th>4</th> <th>5</th> <th>6</th> <th>7</th> </tr> <tr> <th>0</th> <td>8</td> <td>9</td> <td>10</td> <td>11</td> <td>12</td> </tr> <tr> <th>2</th> <td>6</td> <td>7</td> <td>8</td> <td>9</td> <td>10</td> </tr> <tr> <th>4</th> <td>4</td> <td>5</td> <td>6</td> <td>7</td> <td>8</td> </tr> </table>	D \ K	3	4	5	6	7	0	8	9	10	11	12	2	6	7	8	9	10	4	4	5	6	7	8					
D \ K	3	4	5	6	7																											
0	8	9	10	11	12																											
2	6	7	8	9	10																											
4	4	5	6	7	8																											
Inset (C) 		15.03.680 Incl. mounting plate H = 4 SISO logo in cup	<table border="1"> <tr> <th>A \ K</th> <th>3</th> <th>4</th> <th>5</th> <th>6</th> <th>7</th> </tr> <tr> <th>0</th> <td>-1</td> <td>-2</td> <td>-3</td> <td>-4</td> <td>-5</td> </tr> <tr> <th>2</th> <td>1</td> <td>0</td> <td>-1</td> <td>-2</td> <td>-3</td> </tr> <tr> <th>4</th> <td>3</td> <td>2</td> <td>1</td> <td>0</td> <td>-1</td> </tr> </table>	A \ K	3	4	5	6	7	0	-1	-2	-3	-4	-5	2	1	0	-1	-2	-3	4	3	2	1	0	-1					
A \ K	3	4	5	6	7																											
0	-1	-2	-3	-4	-5																											
2	1	0	-1	-2	-3																											
4	3	2	1	0	-1																											
		H = 2/4 f/chipboard screws Slide-on	Delivered as standard mounting plate with all hinges. Chipboard screws to be ordered separately.																													
		15.03.726 H = 2 f/euro screws Slide-on	To be ordered separately if euro screw mounting is wanted. Pre-mounted euro screws included.																													

MAXI HINGE Ø35 MM - 165° - 2-WAY

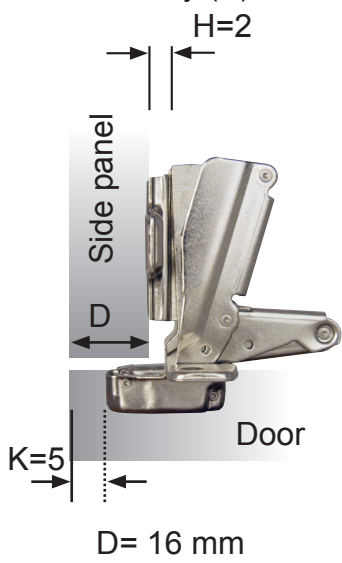


**2-WAY
Slide-on
FI 14-24 MM PANEL
Ø 35 MM**

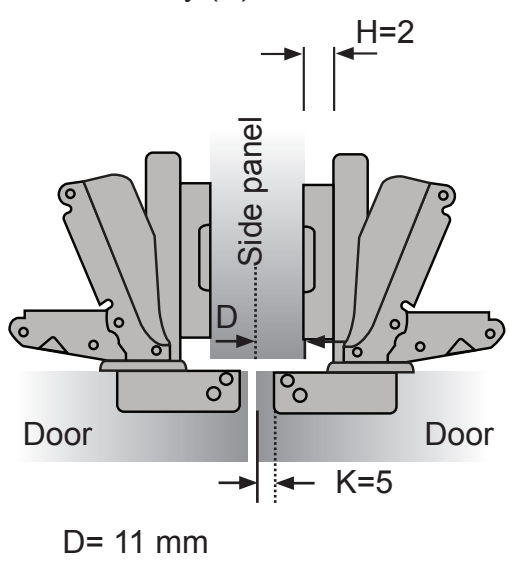


- H = height of mounting plate
- D = required door overlay
- K = drilling distance from the edge of door to the edge of the cup hole
- A = gap between door and sidepanel

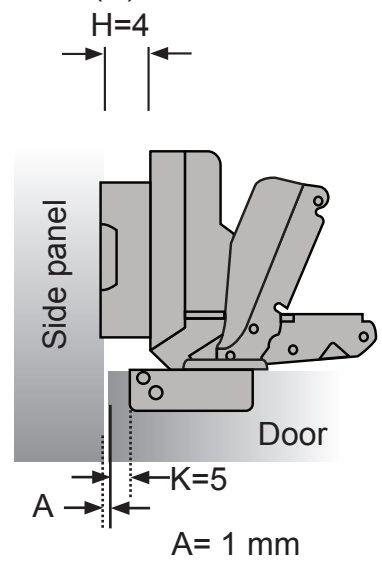
Full overlay (A)



Half overlay (B)



Inset (C)

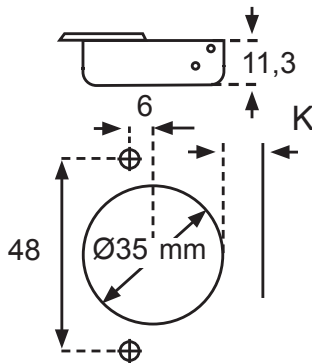


MAXI HINGE Ø35 MM - 165° - 2-WAY

- high quality furniture fittings



Cup drawing



Opening angle:	165°
Depth of hinge cup:	11,3 mm
Diameter of hinge cup:	35 mm
Mounting of hinge: Screw on:	c.c.48 mm
Possible drilling distances on the door (K):	3-7 mm
Door thickness:	14-24 mm

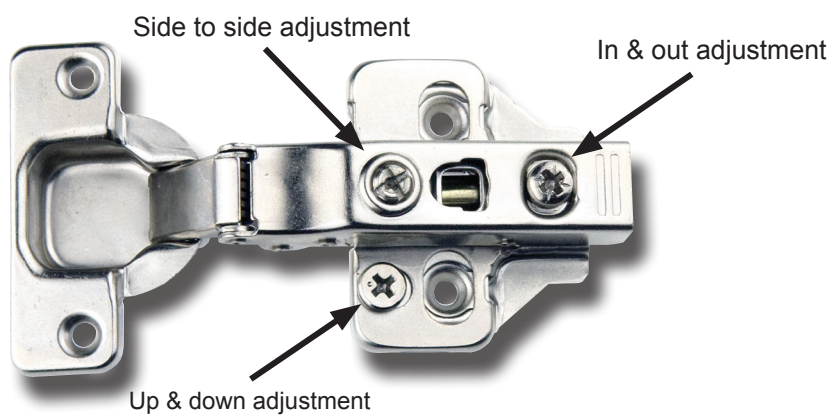
Steel - Nickel Plated		Item No.	D: Overlay calculations	A: Gap calculations																												
<p>Full overlay (A)</p>		<p>15.03.681 Incl. mounting plate H = 2 SISO logo in cup</p>	<table border="1"> <tr> <th>D \ K</th> <th>3</th> <th>4</th> <th>5</th> <th>6</th> <th>7</th> </tr> <tr> <th>0</th> <td>16</td> <td>17</td> <td>18</td> <td>19</td> <td>20</td> </tr> <tr> <th>2</th> <td>14</td> <td>15</td> <td>16</td> <td>17</td> <td>18</td> </tr> <tr> <th>4</th> <td>12</td> <td>13</td> <td>14</td> <td>15</td> <td>16</td> </tr> </table>	D \ K	3	4	5	6	7	0	16	17	18	19	20	2	14	15	16	17	18	4	12	13	14	15	16					
D \ K	3	4	5	6	7																											
0	16	17	18	19	20																											
2	14	15	16	17	18																											
4	12	13	14	15	16																											
<p>Half overlay (B)</p> <p>NO STOCK ITEM</p>		<p>15.03.682 Incl. mounting plate H = 2 SISO logo in cup</p>	<table border="1"> <tr> <th>D \ K</th> <th>3</th> <th>4</th> <th>5</th> <th>6</th> <th>7</th> </tr> <tr> <th>0</th> <td>11</td> <td>12</td> <td>13</td> <td>14</td> <td>15</td> </tr> <tr> <th>2</th> <td>9</td> <td>10</td> <td>11</td> <td>12</td> <td>13</td> </tr> <tr> <th>4</th> <td>7</td> <td>8</td> <td>9</td> <td>10</td> <td>11</td> </tr> </table>	D \ K	3	4	5	6	7	0	11	12	13	14	15	2	9	10	11	12	13	4	7	8	9	10	11					
D \ K	3	4	5	6	7																											
0	11	12	13	14	15																											
2	9	10	11	12	13																											
4	7	8	9	10	11																											
<p>Inset (C)</p> <p>NO STOCK ITEM</p>		<p>15.03.683 Incl. mounting plate H = 4 SISO logo in cup</p>	<table border="1"> <tr> <th>A \ K</th> <th>3</th> <th>4</th> <th>5</th> <th>6</th> <th>7</th> </tr> <tr> <th>0</th> <td>-1</td> <td>-2</td> <td>-3</td> <td>-4</td> <td>-5</td> </tr> <tr> <th>2</th> <td>1</td> <td>0</td> <td>-1</td> <td>-2</td> <td>-3</td> </tr> <tr> <th>4</th> <td>3</td> <td>2</td> <td>1</td> <td>0</td> <td>-1</td> </tr> </table>	A \ K	3	4	5	6	7	0	-1	-2	-3	-4	-5	2	1	0	-1	-2	-3	4	3	2	1	0	-1					
A \ K	3	4	5	6	7																											
0	-1	-2	-3	-4	-5																											
2	1	0	-1	-2	-3																											
4	3	2	1	0	-1																											
	<p>Cabinet edge</p>	<p>H = 2/4 f/chipboard screws Slide-on</p>	<p>Delivered as standard mounting plate with all hinges. Chipboard screws to be ordered separately.</p>																													
	<p>Cabinet edge</p>	<p>15.03.726 H = 2 f/euro screws Slide-on</p>	<p>To be ordered separately if euro screw mounting is wanted. Pre-mounted euro screws included.</p>																													



Standard model

**2-WAY
CLIP-ON
F/ 14-24 MM PANEL
Ø 35 MM**

Hinge w/mounting plate f/easy up & down adjustment (optional)

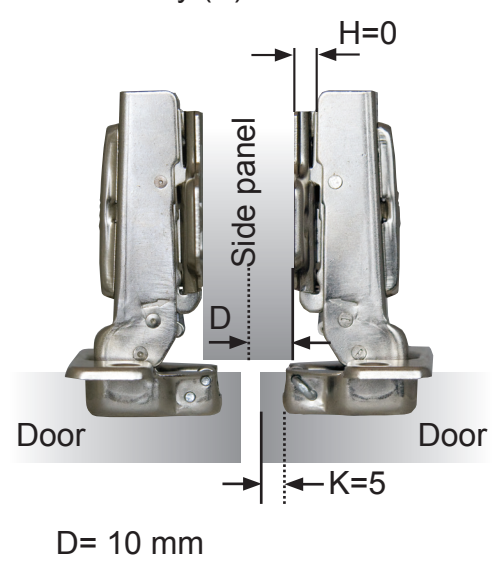


- H = height of mounting plate
- D = required door overlay
- K = drilling distance from the edge of door to the edge of the cup hole
- A = gap between door and sidepanel

Full overlay (A)



Half overlay (B)



Inset (C)

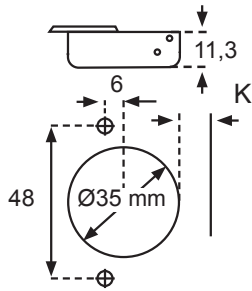


MAXI HINGE Ø 35 MM -100°

- high quality furniture fittings

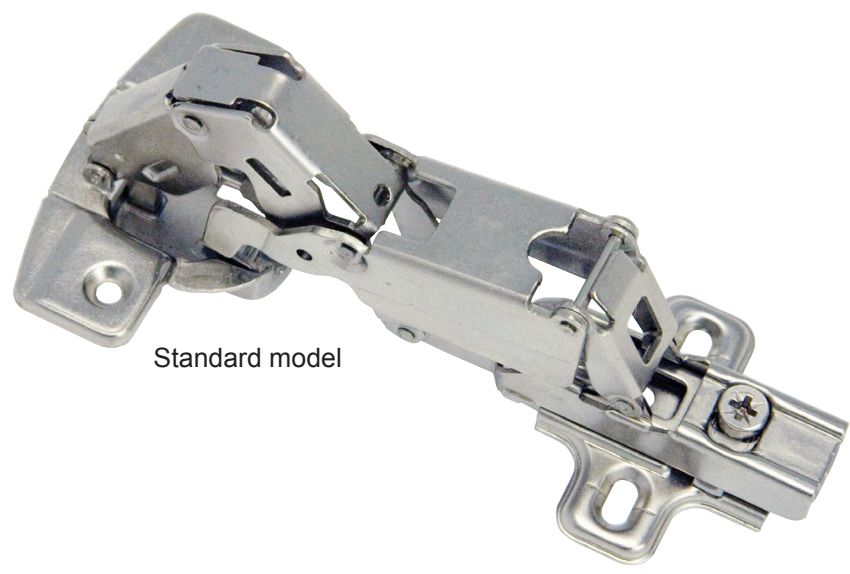


Cup drawing



Opening angle:	100°
Depth of hinge cup:	11,3 mm
Diameter of hinge cup:	35 mm
Mounting of hinge: Screw on:	c.c.48 mm
Possible drilling distances on the door (K):	3-7 mm
Door thickness:	14- 24 mm.

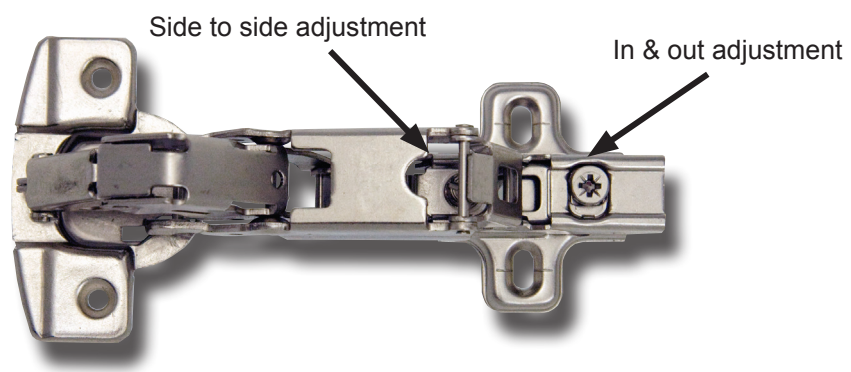
Steel - Nickel Plated		Item No.	D: Overlay calculations	A: Gap calculations																												
Full overlay (A) 		15.03.735 Incl. SISO name plate + mounting plate H = 0	<table border="1"> <tr> <th>D \ K</th> <th>3</th> <th>4</th> <th>5</th> <th>6</th> <th>7</th> </tr> <tr> <th>0</th> <td>17</td> <td>18</td> <td>19</td> <td>20</td> <td>21</td> </tr> <tr> <th>2</th> <td>15</td> <td>16</td> <td>17</td> <td>18</td> <td>19</td> </tr> <tr> <th>4</th> <td>13</td> <td>14</td> <td>15</td> <td>16</td> <td>17</td> </tr> </table>	D \ K	3	4	5	6	7	0	17	18	19	20	21	2	15	16	17	18	19	4	13	14	15	16	17					
D \ K	3	4	5	6	7																											
0	17	18	19	20	21																											
2	15	16	17	18	19																											
4	13	14	15	16	17																											
Half overlay (B) 		15.03.736 Incl. SISO name plate + mounting plate H = 0	<table border="1"> <tr> <th>D \ K</th> <th>3</th> <th>4</th> <th>5</th> <th>6</th> <th>7</th> </tr> <tr> <th>0</th> <td>8</td> <td>9</td> <td>10</td> <td>11</td> <td>12</td> </tr> <tr> <th>2</th> <td>6</td> <td>7</td> <td>8</td> <td>9</td> <td>10</td> </tr> <tr> <th>4</th> <td>4</td> <td>5</td> <td>6</td> <td>7</td> <td>8</td> </tr> </table>	D \ K	3	4	5	6	7	0	8	9	10	11	12	2	6	7	8	9	10	4	4	5	6	7	8					
D \ K	3	4	5	6	7																											
0	8	9	10	11	12																											
2	6	7	8	9	10																											
4	4	5	6	7	8																											
Inset (C) 		15.03.737 Incl. SISO name plate + mounting plate H = 0	<table border="1"> <tr> <th>A \ K</th> <th>3</th> <th>4</th> <th>5</th> <th>6</th> <th>7</th> </tr> <tr> <th>0</th> <td>1,5</td> <td>0,5</td> <td>0,5</td> <td>-1,5</td> <td>-2,5</td> </tr> <tr> <th>2</th> <td>3,5</td> <td>2,5</td> <td>1,5</td> <td>0,5</td> <td>-0,5</td> </tr> <tr> <th>4</th> <td>5,5</td> <td>4,5</td> <td>3,5</td> <td>2,5</td> <td>1,5</td> </tr> </table>	A \ K	3	4	5	6	7	0	1,5	0,5	0,5	-1,5	-2,5	2	3,5	2,5	1,5	0,5	-0,5	4	5,5	4,5	3,5	2,5	1,5					
A \ K	3	4	5	6	7																											
0	1,5	0,5	0,5	-1,5	-2,5																											
2	3,5	2,5	1,5	0,5	-0,5																											
4	5,5	4,5	3,5	2,5	1,5																											
		H = 0 f/chipboard screws Clip-on	Delivered as standard mounting plate with all hinges. Chipboard screws to be ordered separately.																													
		15.03.728-1 H = 0 f/euro screws Clip-on	To be ordered separately if easy up & down adjustment is wanted. Pre-mounted euro screws included.																													
		15.03.730	Cover plate for screws on hinge cup																													



Standard model

**2-WAY
CLIP-ON
F/ 14-24 MM PANEL
Ø 35 MM**

Hinge w/mounting plate f/easy up & down adjustment (optional)

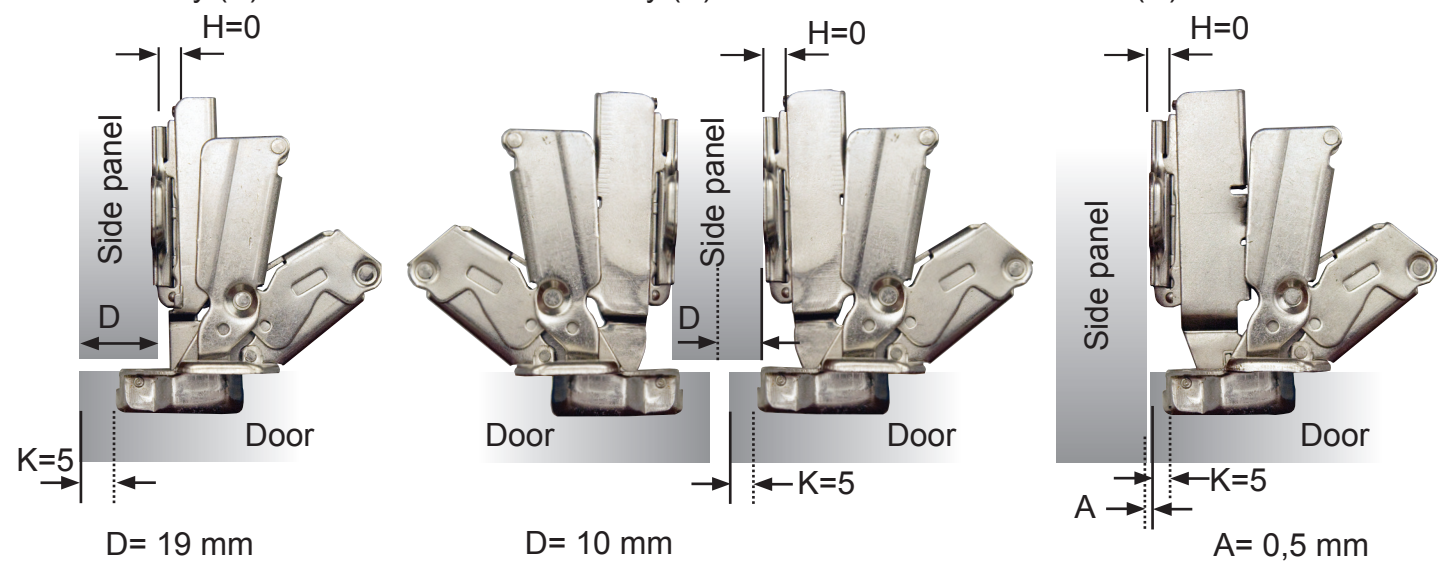


- H =** height of mounting plate
- D =** required door overlay
- K =** drilling distance from the edge of door to the edge of the cup hole
- A =** gap between door and sidepanel

Full overlay (A)

Half overlay (B)

Inset (C)

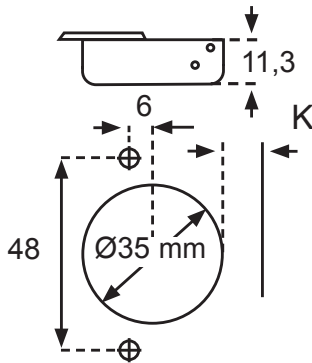


MAXI HINGE Ø 35 MM -165°

- high quality furniture fittings



Cup drawing

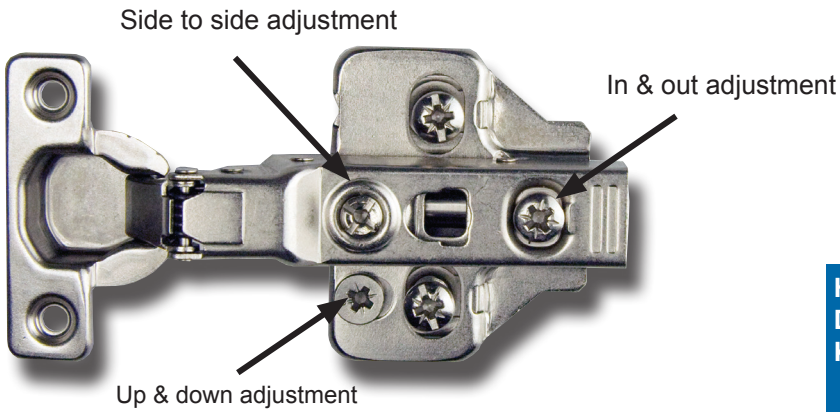


Opening angle:	165°
Depth of hinge cup:	11,3 mm
Diameter of hinge cup:	35 mm
Mounting of hinge: Screw on:	c.c.48 mm
Possible drilling distances on the door (K):	3-8 mm
Door thickness:	14- 26 mm.

Steel - Nickel Plated		Item No.	D: Overlay calculations	A: Gap calculations																												
Full overlay (A) 		15.03.740 Incl. mounting plate H = 0	<table border="1"> <tr> <th>D \ K</th> <th>3</th> <th>4</th> <th>5</th> <th>6</th> <th>7</th> </tr> <tr> <th>0</th> <td>17</td> <td>18</td> <td>19</td> <td>20</td> <td>21</td> </tr> <tr> <th>2</th> <td>15</td> <td>16</td> <td>17</td> <td>18</td> <td>19</td> </tr> <tr> <th>4</th> <td>13</td> <td>14</td> <td>15</td> <td>16</td> <td>17</td> </tr> </table>	D \ K	3	4	5	6	7	0	17	18	19	20	21	2	15	16	17	18	19	4	13	14	15	16	17					
D \ K	3	4	5	6	7																											
0	17	18	19	20	21																											
2	15	16	17	18	19																											
4	13	14	15	16	17																											
Half overlay (B) 		15.03.741 Incl. mounting plate H = 0	<table border="1"> <tr> <th>D \ K</th> <th>3</th> <th>4</th> <th>5</th> <th>6</th> <th>7</th> </tr> <tr> <th>0</th> <td>8</td> <td>9</td> <td>10</td> <td>11</td> <td>12</td> </tr> <tr> <th>2</th> <td>6</td> <td>7</td> <td>8</td> <td>9</td> <td>10</td> </tr> <tr> <th>4</th> <td>4</td> <td>5</td> <td>6</td> <td>7</td> <td>8</td> </tr> </table>	D \ K	3	4	5	6	7	0	8	9	10	11	12	2	6	7	8	9	10	4	4	5	6	7	8					
D \ K	3	4	5	6	7																											
0	8	9	10	11	12																											
2	6	7	8	9	10																											
4	4	5	6	7	8																											
Inset (C) 		15.03.742 Incl. mounting plate H = 4	<table border="1"> <tr> <th>A \ K</th> <th>3</th> <th>4</th> <th>5</th> <th>6</th> <th>7</th> </tr> <tr> <th>0</th> <td>1,5</td> <td>0,5</td> <td>0,5</td> <td>-1,5</td> <td>-2,5</td> </tr> <tr> <th>2</th> <td>3,5</td> <td>2,5</td> <td>1,5</td> <td>0,5</td> <td>-0,5</td> </tr> <tr> <th>4</th> <td>5,5</td> <td>4,5</td> <td>3,5</td> <td>2,5</td> <td>1,5</td> </tr> </table>	A \ K	3	4	5	6	7	0	1,5	0,5	0,5	-1,5	-2,5	2	3,5	2,5	1,5	0,5	-0,5	4	5,5	4,5	3,5	2,5	1,5					
A \ K	3	4	5	6	7																											
0	1,5	0,5	0,5	-1,5	-2,5																											
2	3,5	2,5	1,5	0,5	-0,5																											
4	5,5	4,5	3,5	2,5	1,5																											
		H = 0 f/chipboard screws Clip-on	Delivered as standard mounting plate with all hinges. Chipboard screws to be ordered separately.																													
		15.03.728-1 H = 0 f/euro screws Clip-on	To be ordered separately if easy up & down adjustment is wanted. Pre-mounted euro screws included.																													



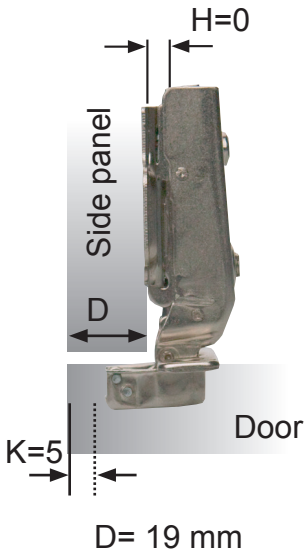
Hinge w/mounting plate f/easy up & down adjustment (optional)



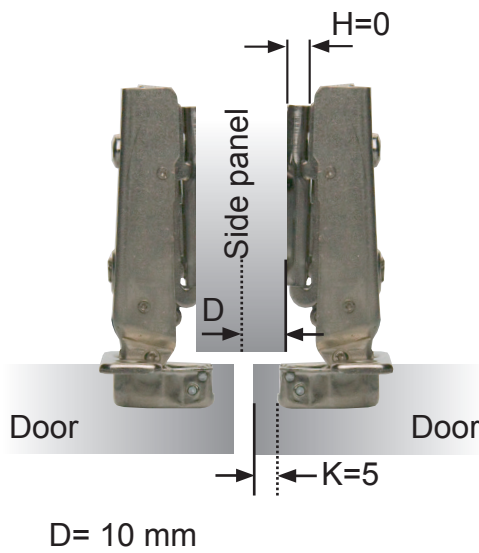
**SOFT CLOSE
CLIP-ON
FI 12-22 MM PANEL
Ø 26 MM**

- H = height of mounting plate
- D = required door overlay
- K = drilling distance from the edge of door to the edge of the cup hole
- A = gap between door and sidepanel

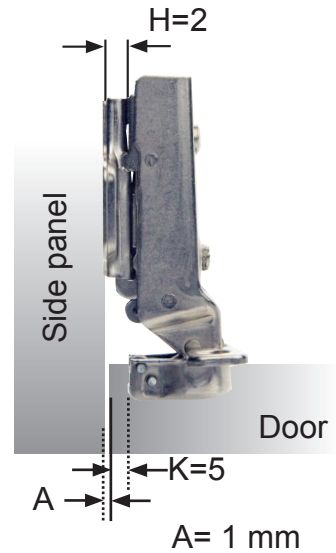
Full overlay (A)



Half overlay (B)

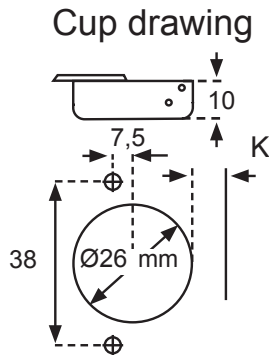


Inset (C)



SOFT CLOSE MINI HINGE Ø 26 MM -100°

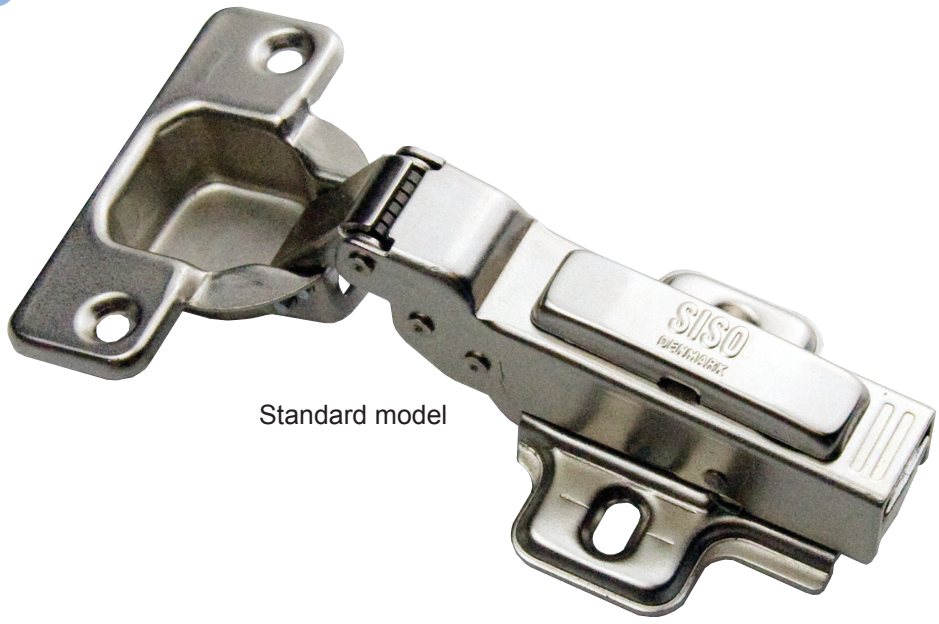
- high quality furniture fittings



Opening angle: 100°
 Depth of hinge cup: 10 mm
 Diameter of hinge cup: 26 mm
 Mounting of hinge: Screw on: c.c.38 mm
 Possible drilling distances on the door (K): 3-5 mm
 Door thickness: 12-22 mm

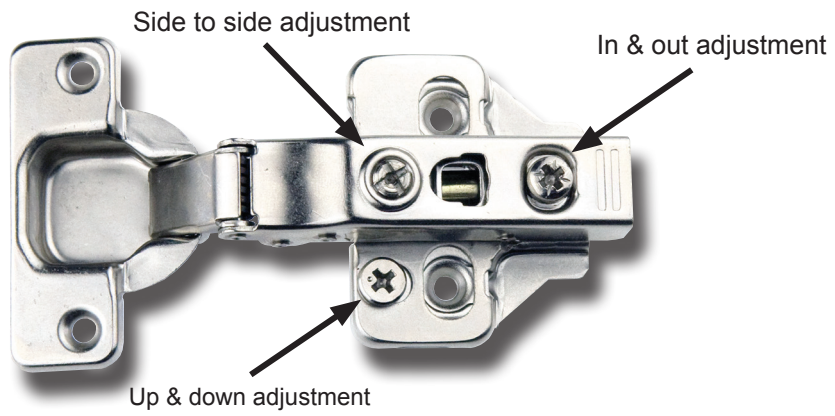
Steel - Nickel Plated		Item No.	D: Overlay calculations	A: Gap calculations																
		15.02.650 Incl. SISO name plate + mounting plate H = 0	<table border="1"> <tr> <th>D \ K</th> <th>3</th> <th>4</th> <th>5</th> </tr> <tr> <th>0</th> <td>13,5</td> <td>14,5</td> <td>15,5</td> </tr> <tr> <th>2</th> <td>11,5</td> <td>12,5</td> <td>13,5</td> </tr> <tr> <th>4</th> <td>9,5</td> <td>10,5</td> <td>11,5</td> </tr> </table>	D \ K	3	4	5	0	13,5	14,5	15,5	2	11,5	12,5	13,5	4	9,5	10,5	11,5	
D \ K	3	4	5																	
0	13,5	14,5	15,5																	
2	11,5	12,5	13,5																	
4	9,5	10,5	11,5																	
		15.02.655 Incl. SISO name plate + mounting plate H = 0	<table border="1"> <tr> <th>D \ K</th> <th>3</th> <th>4</th> <th>5</th> </tr> <tr> <th>0</th> <td>4,5</td> <td>5,5</td> <td>6,5</td> </tr> <tr> <th>2</th> <td>2,5</td> <td>3,5</td> <td>4,5</td> </tr> <tr> <th>4</th> <td>0,5</td> <td>1,5</td> <td>2,5</td> </tr> </table>	D \ K	3	4	5	0	4,5	5,5	6,5	2	2,5	3,5	4,5	4	0,5	1,5	2,5	
D \ K	3	4	5																	
0	4,5	5,5	6,5																	
2	2,5	3,5	4,5																	
4	0,5	1,5	2,5																	
		15.02.660 Incl. SISO name plate + mounting plate H = 2	<table border="1"> <tr> <th>A \ K</th> <th>3</th> <th>4</th> <th>5</th> </tr> <tr> <th>0</th> <td>5,5</td> <td>6,5</td> <td>7,5</td> </tr> <tr> <th>2</th> <td>7</td> <td>6</td> <td>5</td> </tr> </table>	A \ K	3	4	5	0	5,5	6,5	7,5	2	7	6	5					
A \ K	3	4	5																	
0	5,5	6,5	7,5																	
2	7	6	5																	
		H = 0/2 f/chipboard screws Clip-on	Delivered as standard mounting plate with all hinges. Chipboard screws to be ordered separately.																	
		15.03.724-0 H = 0 f/euro screws Clip-on	To be ordered separately if easy up & down adjustment is wanted. Pre-mounted euro screws included.																	

SOFT CLOSE MAXI HINGE Ø 35 MM -100°



Standard model

Hinge w/mounting plate f/easy up & down adjustment (optional)



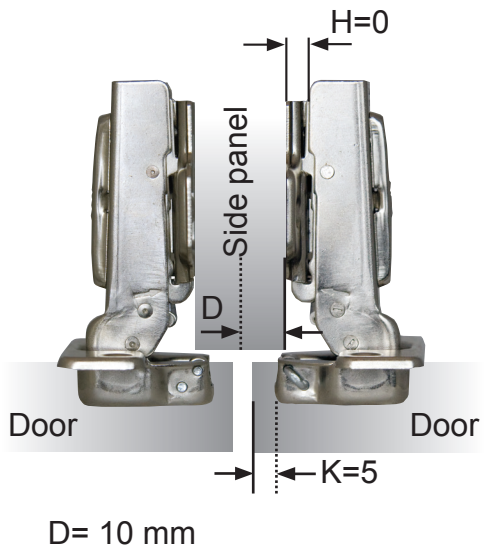
**SOFT CLOSE
CLIP-ON
FI 14-24 MM PANEL
Ø 35 MM**

- H =** height of mounting plate
- D =** required door overlay
- K =** drilling distance from the edge of door to the edge of the cup hole
- A =** gap between door and sidepanel

Full overlay (A)



Half overlay (B)



Inset (C)

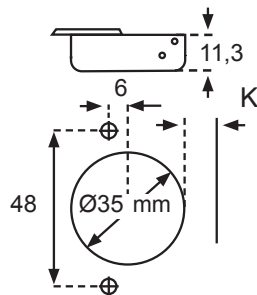


SOFT CLOSE MAXI HINGE Ø 35 MM -100°

- high quality furniture fittings



Cup drawing



Opening angle:	100°
Depth of hinge cup:	11,3 mm
Diameter of hinge cup:	35 mm
Mounting of hinge. Screw on:	c.c.48 mm
Possible drilling distances on the door (K):	3-7 mm
Door thickness:	14-24 mm



Steel - Nickel Plated or SS-304		Item No.	D: Overlay calculations	A: Gap calculations																												
Full overlay (A) 		Steel: 15.03.731 SS-304: 15.03.760 Incl. SISO name plate + mounting plate H = 0	<table border="1"> <tr> <th>D \ K</th> <th>3</th> <th>4</th> <th>5</th> <th>6</th> <th>7</th> </tr> <tr> <th>0</th> <td>17</td> <td>18</td> <td>19</td> <td>20</td> <td>21</td> </tr> <tr> <th>2</th> <td>15</td> <td>16</td> <td>17</td> <td>18</td> <td>19</td> </tr> <tr> <th>4</th> <td>13</td> <td>14</td> <td>15</td> <td>16</td> <td>17</td> </tr> </table>	D \ K	3	4	5	6	7	0	17	18	19	20	21	2	15	16	17	18	19	4	13	14	15	16	17					
D \ K	3	4	5	6	7																											
0	17	18	19	20	21																											
2	15	16	17	18	19																											
4	13	14	15	16	17																											
Half overlay (B) 		Steel: 15.03.732 SS-304: 15.03.765 Incl. SISO name plate + mounting plate H = 0	<table border="1"> <tr> <th>D \ K</th> <th>3</th> <th>4</th> <th>5</th> <th>6</th> <th>7</th> </tr> <tr> <th>0</th> <td>8</td> <td>9</td> <td>10</td> <td>11</td> <td>12</td> </tr> <tr> <th>2</th> <td>6</td> <td>7</td> <td>8</td> <td>9</td> <td>10</td> </tr> <tr> <th>4</th> <td>4</td> <td>5</td> <td>6</td> <td>7</td> <td>8</td> </tr> </table>	D \ K	3	4	5	6	7	0	8	9	10	11	12	2	6	7	8	9	10	4	4	5	6	7	8					
D \ K	3	4	5	6	7																											
0	8	9	10	11	12																											
2	6	7	8	9	10																											
4	4	5	6	7	8																											
Inset (C) 		Steel: 15.03.733 SS-304: 15.03.770 Incl. SISO name plate + mounting plate H = 0	<table border="1"> <tr> <th>A \ K</th> <th>3</th> <th>4</th> <th>5</th> <th>6</th> <th>7</th> </tr> <tr> <th>0</th> <td>1,5</td> <td>0,5</td> <td>0,5</td> <td>-1,5</td> <td>-2,5</td> </tr> <tr> <th>2</th> <td>3,5</td> <td>2,5</td> <td>1,5</td> <td>0,5</td> <td>-0,5</td> </tr> <tr> <th>4</th> <td>5,5</td> <td>4,5</td> <td>3,5</td> <td>2,5</td> <td>1,5</td> </tr> </table>	A \ K	3	4	5	6	7	0	1,5	0,5	0,5	-1,5	-2,5	2	3,5	2,5	1,5	0,5	-0,5	4	5,5	4,5	3,5	2,5	1,5					
A \ K	3	4	5	6	7																											
0	1,5	0,5	0,5	-1,5	-2,5																											
2	3,5	2,5	1,5	0,5	-0,5																											
4	5,5	4,5	3,5	2,5	1,5																											
		H = 0 f/chipboard screws Clip-on	Delivered as standard mounting plate with all hinges. Chipboard screws to be ordered separately.																													
		15.03.724-0 H = 0 f/euro screws Clip-on	To be ordered separately if easy up & down adjustment is wanted. Pre-mounted euro screws included.																													
		15.03.730	Cover plate for screws on hinge cup																													

DOOR DAMPER "BLUES" FOR DRILLING

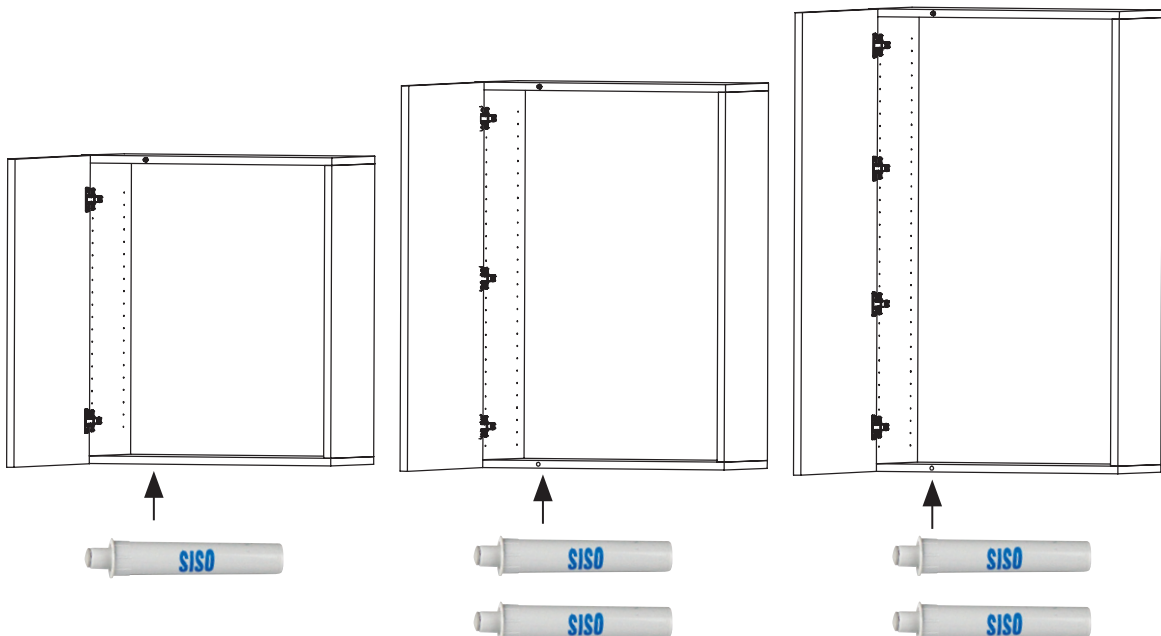
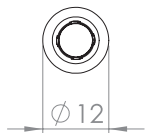
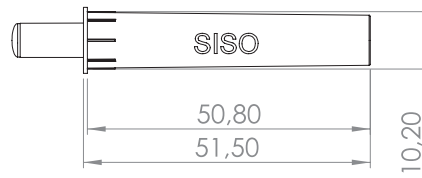
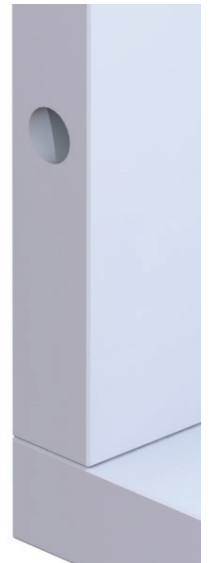
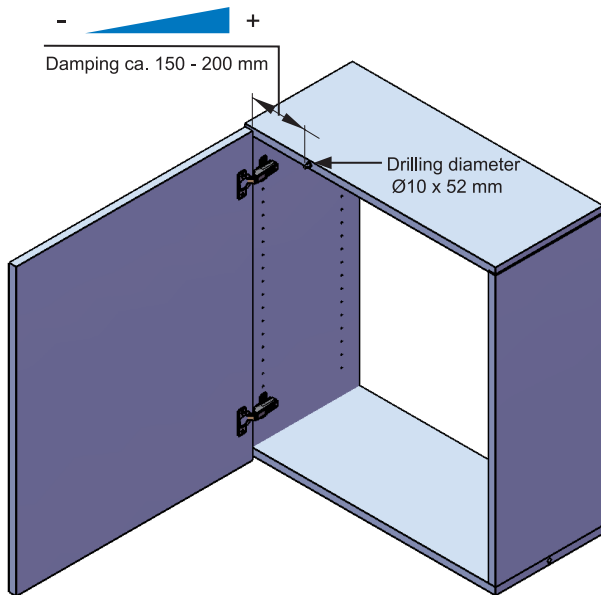
Application: Soft close damper for doors and drawers

Material: Grey ABS

Overall size: Ø 10 x 50 mm

Item No.: # 15.04.517

LGA tested in Germany. Passed 80.000 cycles



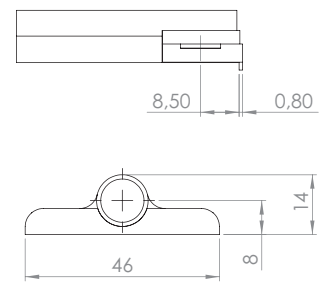
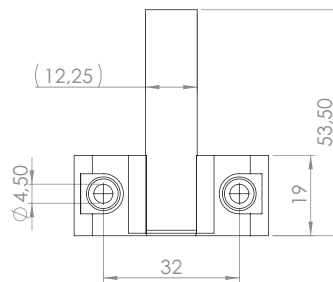
DOOR DAMPER BOX "BLUES"

- high quality furniture fittings



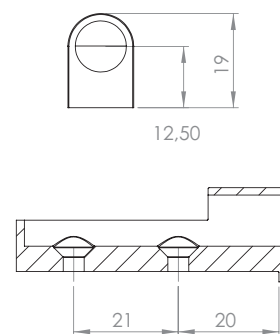
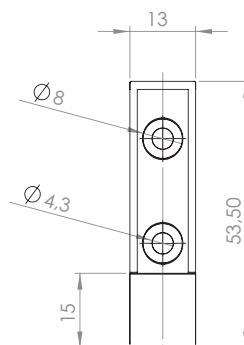
DOOR DAMPER BOX "BLUES" SCREW-ON

Application: Box for soft close damper
Material: Grey ABS
Overall size: 46 x 52 mm. c.c. 32 mm
Item No.: # 15.04.516
 Damper and screws to be ordered separately

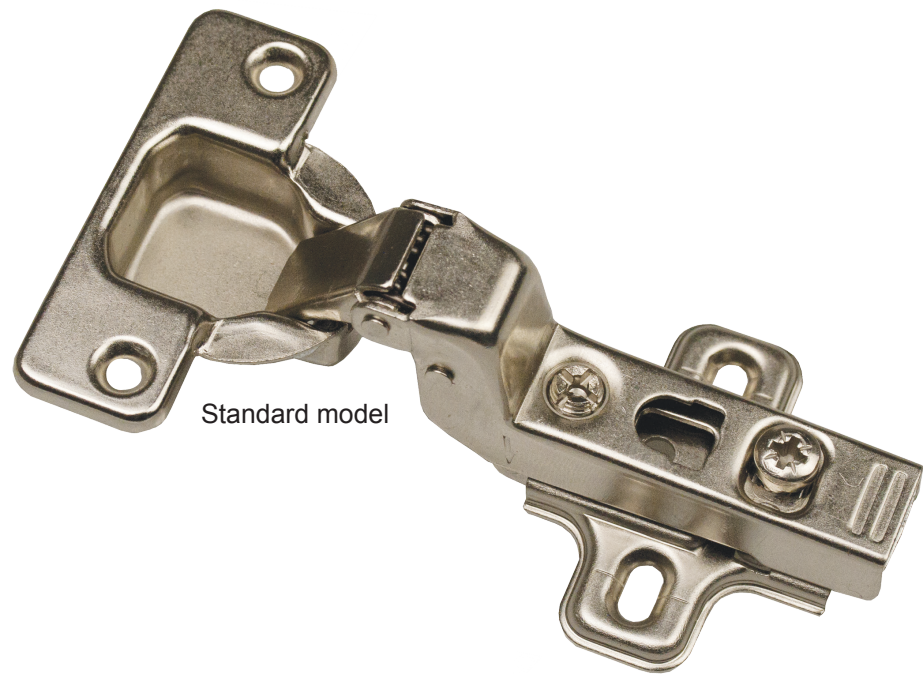


DOOR DAMPER BOX INVISIBLE "BLUES"

Application: Box for soft close damper
Material: Grey ABS
Overall size: 13 x 53,5 mm. c.c. 21 mm
Item No.: # 15.04.514
 Damper and screws to be ordered separately

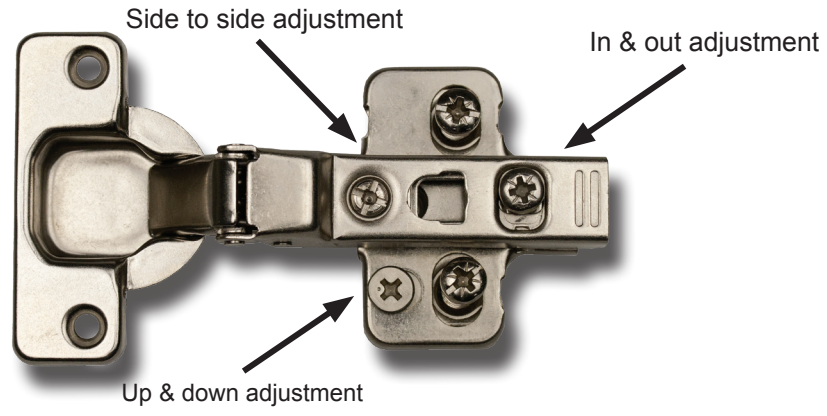


MAXI HINGE PTO Ø 35 MM -100°



Standard model

Hinge w/mounting plate f/easy up & down adjustment (optional)



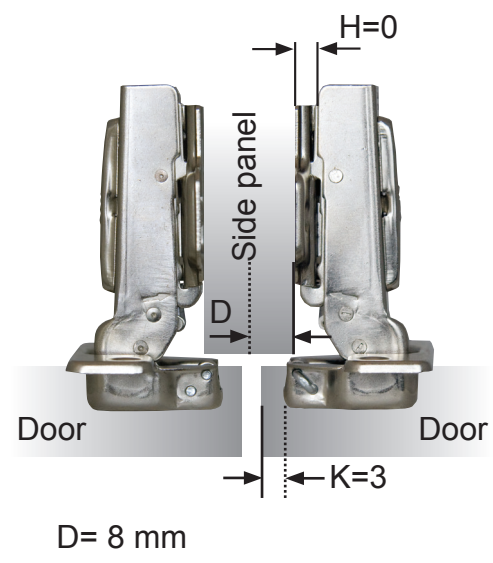
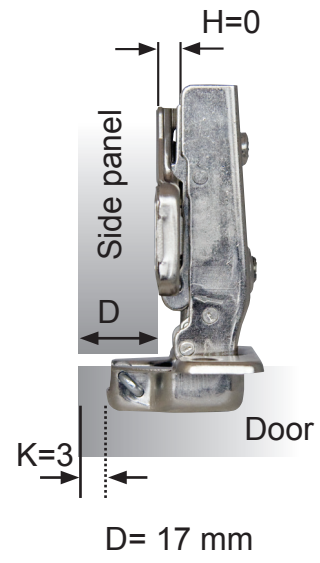
**PUSH TO OPEN
CLIP-ON
F/ 14-24 MM PANEL
Ø 35 MM**

- H =** height of mounting plate
- D =** required door overlay
- K =** drilling distance from the edge of door to the edge of the cup hole
- A =** gap between door and sidepanel

Full overlay (A)

Half overlay (B)

Inset (C)

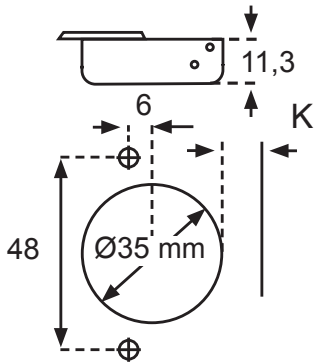


MAXI HINGE PTO Ø 35 MM -100°

- high quality furniture fittings



Cup drawing



Opening angle:	100°
Depth of hinge cup:	11,3 mm
Diameter of hinge cup:	35 mm
Mounting of hinge. Screw on:	c.c.48 mm
Possible drilling distances on the door (K):	3-7 mm
Door thickness:	14-24 mm



To be used with Touch Latches "Slim" page 22-23

Steel - Nickel Plated		Item No.	D: Overlay calculations	A: Gap calculations																												
Full overlay (A) 		15.03.745 Incl. SISO name plate + mounting plate H = 0	<table border="1"> <tr> <th>D \ K</th> <th>3</th> <th>4</th> <th>5</th> <th>6</th> <th>7</th> </tr> <tr> <th>0</th> <td>17</td> <td>18</td> <td>19</td> <td>20</td> <td>21</td> </tr> <tr> <th>2</th> <td>15</td> <td>16</td> <td>17</td> <td>18</td> <td>19</td> </tr> <tr> <th>4</th> <td>13</td> <td>14</td> <td>15</td> <td>16</td> <td>17</td> </tr> </table>	D \ K	3	4	5	6	7	0	17	18	19	20	21	2	15	16	17	18	19	4	13	14	15	16	17					
D \ K	3	4	5	6	7																											
0	17	18	19	20	21																											
2	15	16	17	18	19																											
4	13	14	15	16	17																											
Half overlay (B) 		15.03.746 Incl. SISO name plate + mounting plate H = 0	<table border="1"> <tr> <th>D \ K</th> <th>3</th> <th>4</th> <th>5</th> <th>6</th> <th>7</th> </tr> <tr> <th>0</th> <td>8</td> <td>9</td> <td>10</td> <td>11</td> <td>12</td> </tr> <tr> <th>2</th> <td>6</td> <td>7</td> <td>8</td> <td>9</td> <td>10</td> </tr> <tr> <th>4</th> <td>4</td> <td>5</td> <td>6</td> <td>7</td> <td>8</td> </tr> </table>	D \ K	3	4	5	6	7	0	8	9	10	11	12	2	6	7	8	9	10	4	4	5	6	7	8					
D \ K	3	4	5	6	7																											
0	8	9	10	11	12																											
2	6	7	8	9	10																											
4	4	5	6	7	8																											
Inset (C) 		15.03.747 Incl. SISO name plate + mounting plate H = 0	<table border="1"> <tr> <th>A \ K</th> <th>3</th> <th>4</th> <th>5</th> <th>6</th> <th>7</th> </tr> <tr> <th>0</th> <td>1</td> <td>0</td> <td>-1</td> <td>-2</td> <td>-3</td> </tr> <tr> <th>2</th> <td>3</td> <td>2</td> <td>1</td> <td>0</td> <td>-1</td> </tr> <tr> <th>4</th> <td>5</td> <td>4</td> <td>3</td> <td>2</td> <td>1</td> </tr> </table>	A \ K	3	4	5	6	7	0	1	0	-1	-2	-3	2	3	2	1	0	-1	4	5	4	3	2	1					
A \ K	3	4	5	6	7																											
0	1	0	-1	-2	-3																											
2	3	2	1	0	-1																											
4	5	4	3	2	1																											
		H = 0 f/chipboard screws Clip-on	Delivered as standard mounting plate with all hinges. Chipboard screws to be ordered separately.																													
		15.03.728-1 H = 0 f/euro screws Clip-on	To be ordered separately if easy up & down adjustment is wanted. Pre-mounted euro screws included.																													

TOUCH LATCHES "SLIM" - W/BUMPER

TOUCH LATCH "SLIM" W/SOFT BUMPER

Application: Push-to-open touch latch for doors and drawers

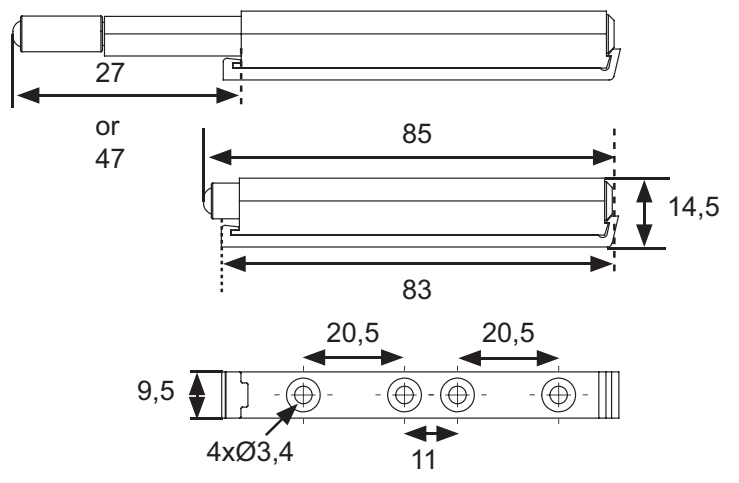
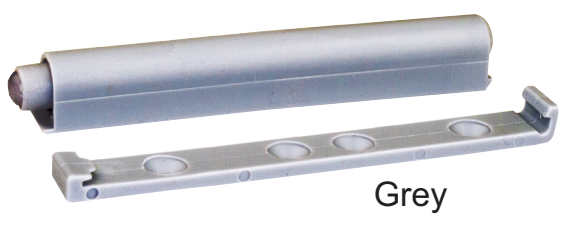
Material: Black ABS, White ABS, Grey ABS RAL 7040

Overall size: 85 mm x 14,5 mm

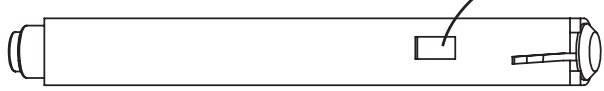
Extended: 105,5 mm

Item No.: # 22.01.108 (Black)
22.01.109 (Grey)
22.01.109-5 (White)

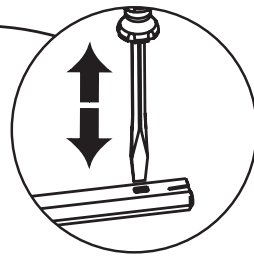
Screws to be ordered separately



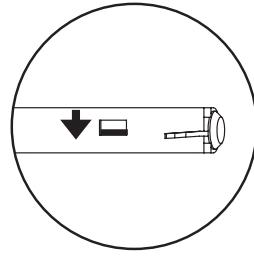
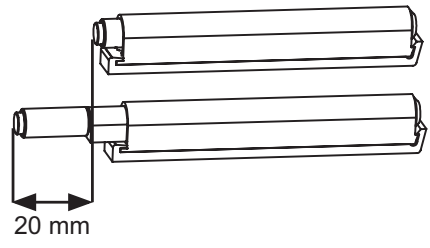
CHANGE OF EXTENSION LENGTH



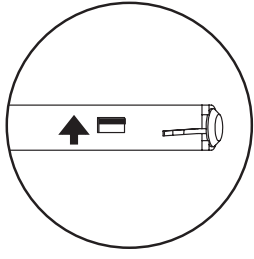
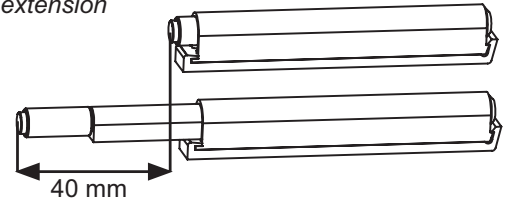
In closed position, press the tab upwards or downwards to choose the length of extension



20 mm. extension



40 mm. extension



TOUCH LATCHES "SLIM" - W/ MAGNET

- high quality furniture fittings



MAGNET TOUCH LATCH "SLIM" W/STRIKER

Application: Push-to-open touch latch for doors and drawers with magnet & striker. Suitable for wood & glass fronts

Material: Black ABS, White ABS, Grey ABS RAL 7040

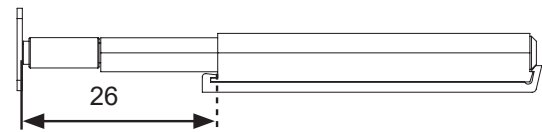
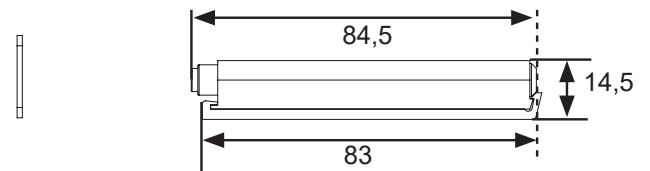
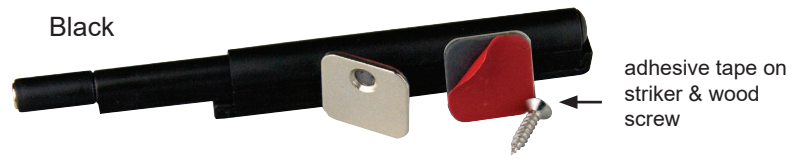
Overall size: 84,5 mm x 14,5 mm

Extended: 105 mm

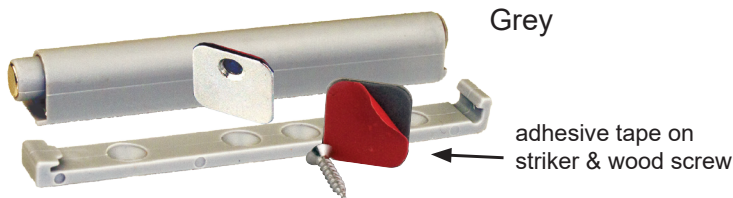
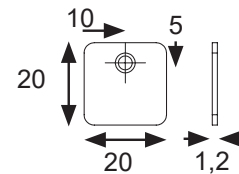
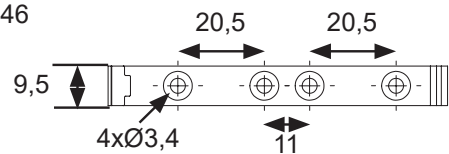
Item No.:
 # 22.01.104 (White)
 # 22.01.105 (Black)
 # 22.01.106 (Grey)

Incl. Steel striker 20 x 20 mm with adhesive tape for glass fixing & screw hole for wood fixing

Screws to be ordered separately



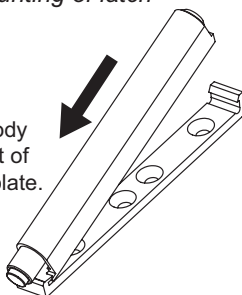
or
46



Mounting of latch

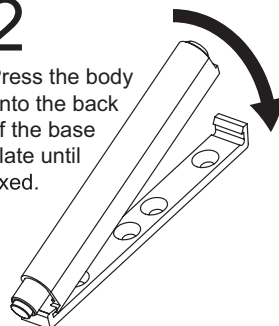
1

Clip the body to the front of the base plate.

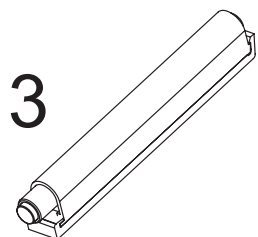


2

Press the body onto the back of the base plate until fixed.



3



CABINET HINGE "EASY"

Application:

Zamak cabinet hinge w/stainless steel axle.
180 degree opening. For inset doors.
With adjustable catch function & visible axle.
Easy installation. No milling/cutting required.

Material: Zamak – Chrome plated or black matt

Size: 50 x 56,5 mm

Door thickness: 8-10 or 14-16 mm

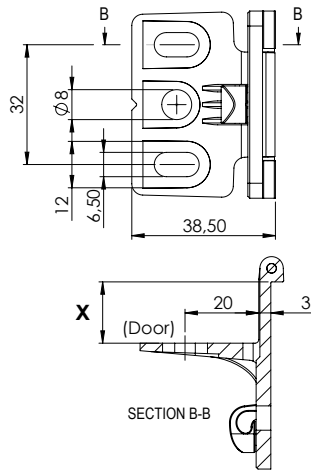
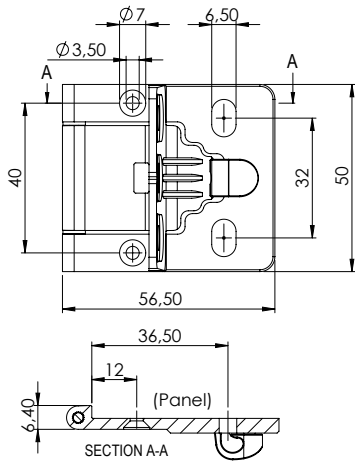
Item No.:

- 8–10 mm – Chrome plated # 15.04.105
- 8–10 mm – Black matt # 15.04.106
- 14–16 mm – Chrome plated # 15.04.110
- 14–16 mm – Black matt # 15.04.111

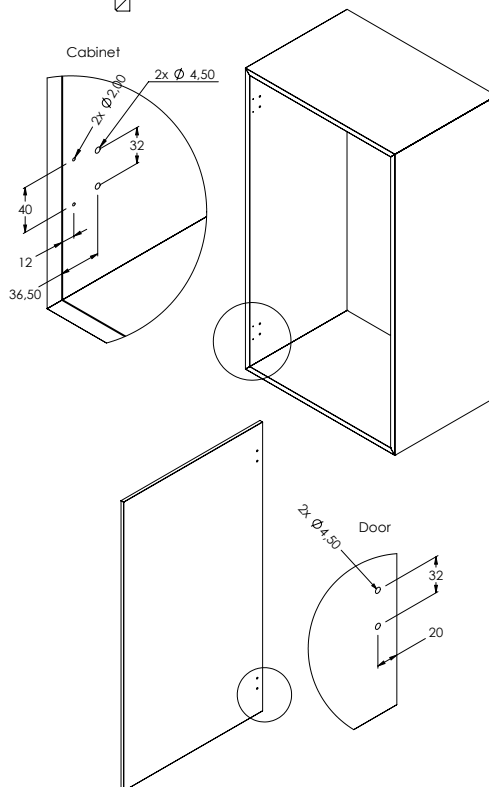
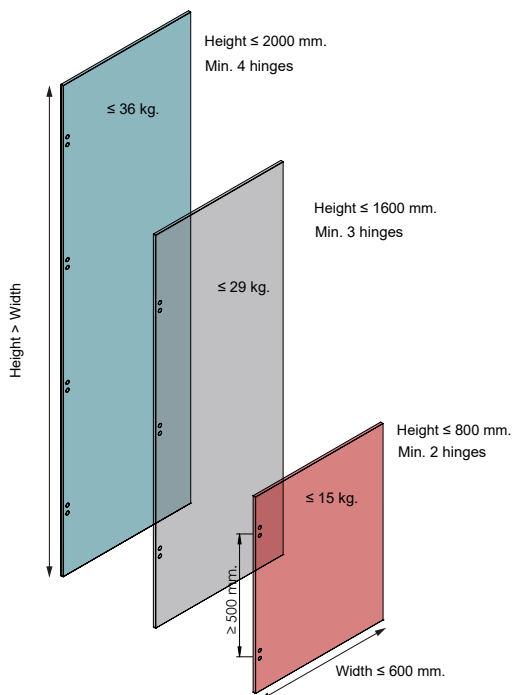
Incl. 4 Euro Screws $\varnothing 6,3 \times 10\text{mm}$ + 2 CSK Steel Screws $3,5 \times 10\text{mm}$ & 2 Black or White PA6 Gaskets - 1mm



Catch adjustment



Item:	"X" Door thickness:
15.04.105/15.04.106	8 - 10 mm.
15.04.110/15.04.111	14 - 16 mm.



FRONT COVER "EASY" F/GLASS OR WOOD

- high quality furniture fittings



Application:

Front cover f/glass or wooden doors.
Drilling required

Material: Zamak – Chrome plated or black matt

Size: 55 x 30 mm

Drilling: Ø10 mm (wood) & Ø14mm (glass)

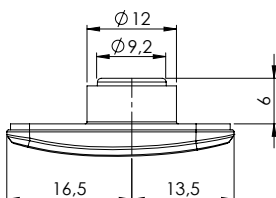
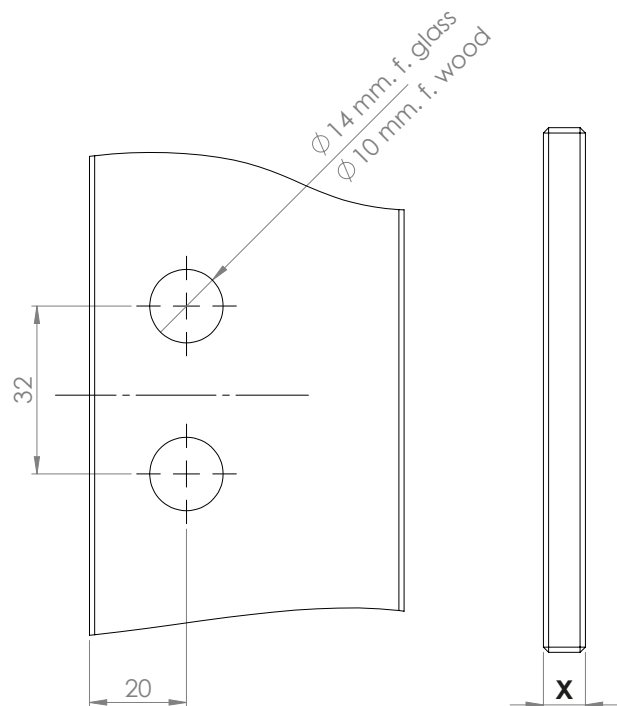
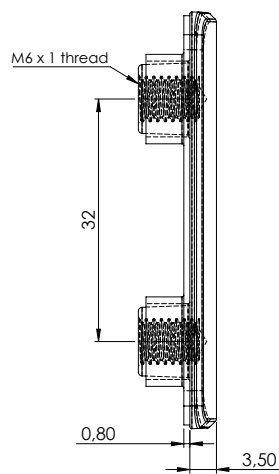
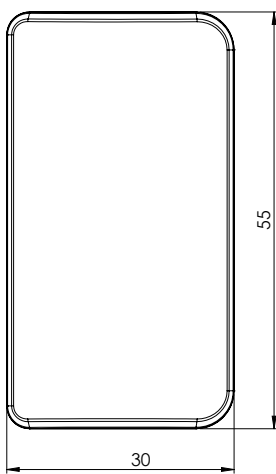
Door thickness: 8-10 or 14-16 mm

Item No.:

Chrome plated # 15.04.125

Black matt # 15.04.126

Incl. SS 2 PZ Screws M6 x 10mm + 2 PZ Screws
M6 x 10 x 16mm & 1 White or Black PA6
Gasket - 0,8mm



Door thickness	X:
15.04.105/15.04.106	8 - 10 mm.
15.04.110/15.04.111	14 - 16 mm.

FIXING CAP "EASY" F/GLASS OR WOOD

Application:

Fixing cap f/glass or wooden doors.
Drilling required

Material: Stainless steel SS-304 – Brushed or black matt

Size: Ø20 x 9 mm, M6 thread

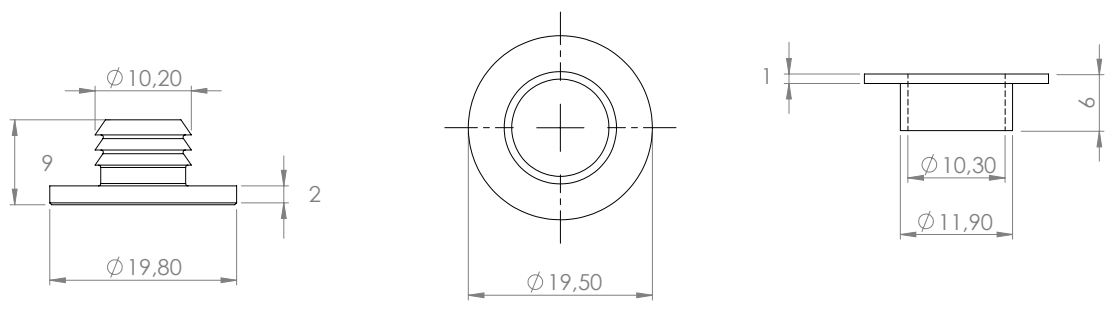
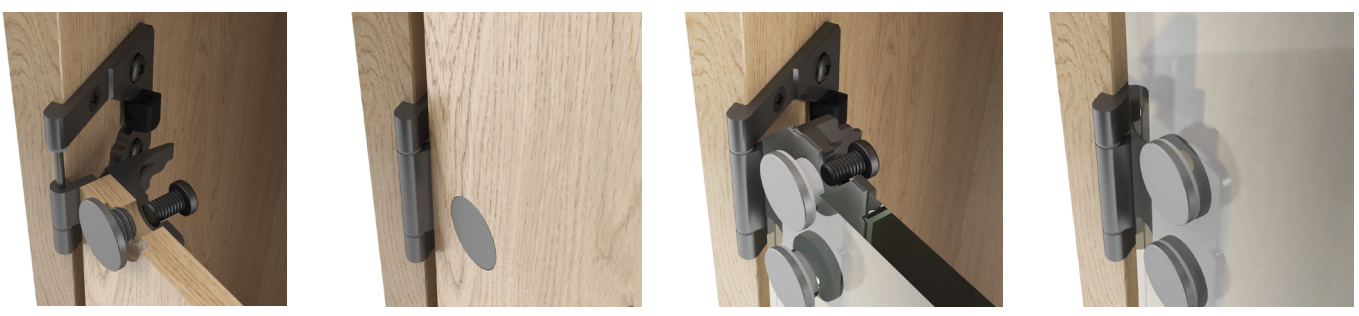
Drilling: Ø10 mm (wood) & Ø14mm (glass)

Door thickness: 8-10 or 14-16 mm

Item No.:

Brushed # 15.04.120
Black matt # 15.04.121

Incl. Plastic Washer, White or black POM. Fixing screws to be bought separately.



ACCESSORIES

Fixing Screw Set, SS-304 Black, 2 x M6 x 10mm & 2 x M6 x 16mm

Item No.: # 15.04.122

Gasket Set, 3 pcs, Black PA - To be used according to design

Item No.: # 15.04.123



CABINET HINGE 135 DEGREE F/ CHAMFERED EDGES

- high quality furniture fittings



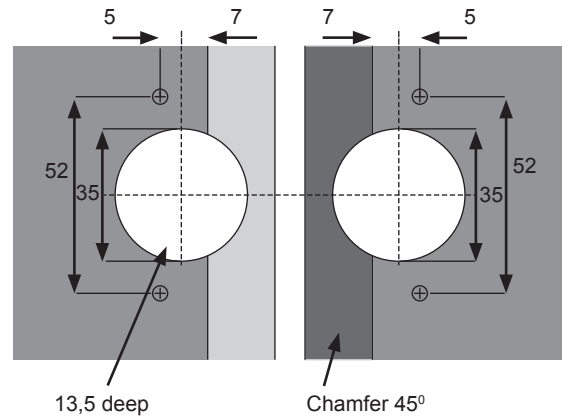
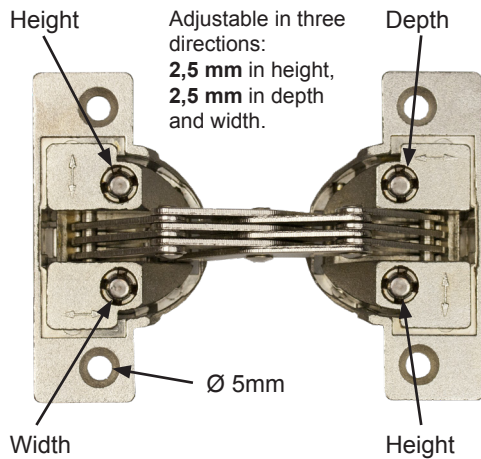
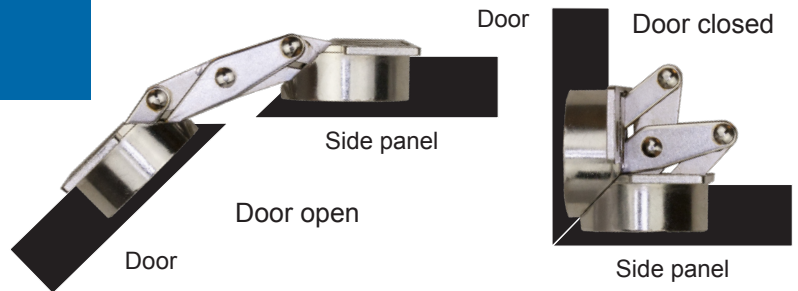
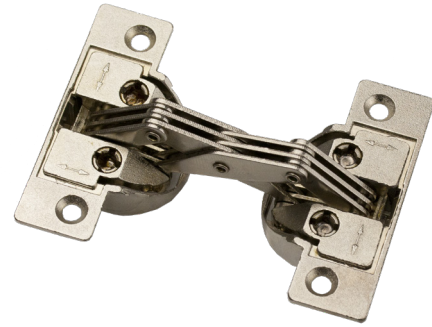
Application: 135 degree hinge for 45 degree edges.
3 dimensional adjustment

Material: Cup body - zamak – nickel plated
Linkage – steel - nickel plated

Door thickness: 16 – 22 mm

Size: Ø 35 x 13,5 mm cup – c.c.: 52 mm

Item No.: 15.04.020



WIDE OPENING HINGE 240 DEGREE F/10-13 MM PANELS

Application: Wide opening hinge 240 degree opening for overlay doors.
With catch function & visible axle.

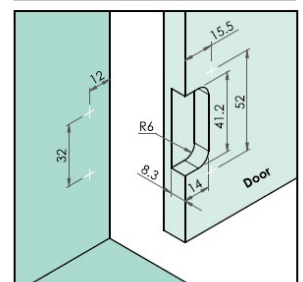
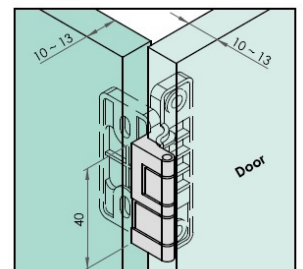
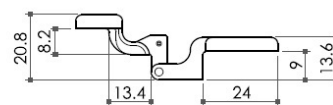
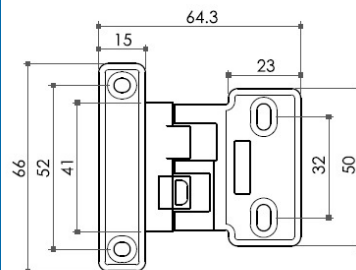
Material: Zamak – Nickel plated

Overlay: 3,5 mm

Door thickness : 10 – 13 mm

Overall size: 66 x 64 mm

Item No.: # 15.04.100



WIDE OPENING HINGE -270°

Application:

Wide opening hinge 270° opening for overlay doors. With catch function & visible axle.

Material: Zamak – Bronze plated

Cup wing:

Ø 35 x 12 mm. C.c: 45mm hole distance. Wood screw fixation. Ø 4 mm.

Mounting plate:

Clip-on. C.c: 32 mm hole distance. With vertical & lateral adjustment function. Wood screw fixation. Ø 4 mm.

Door thickness: 19 mm

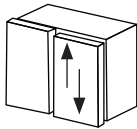
F/19mm panels BRZ # 15.04.082

Other finishes on request.



**CLIP-ON
F/ 16-19 MM PANEL
FULL-OVERLAY**

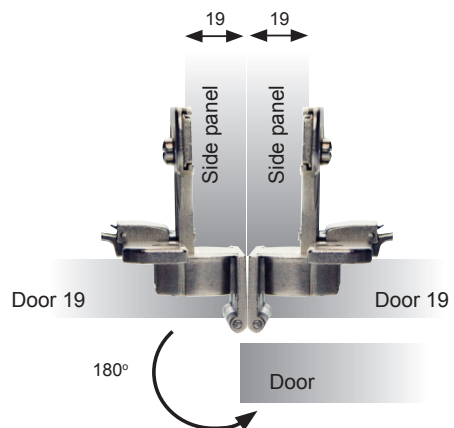
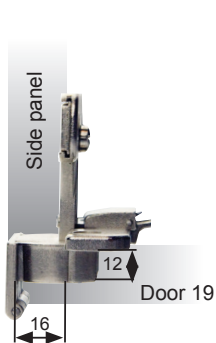
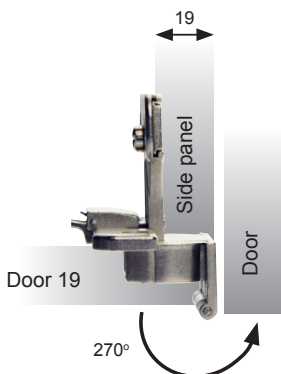
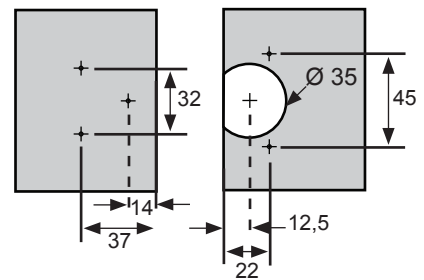
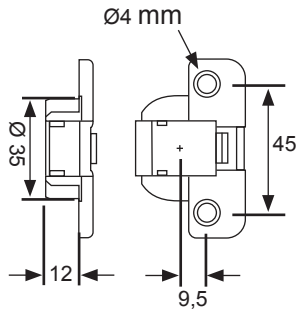
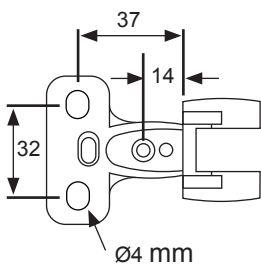
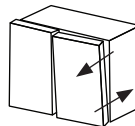
Set screw for vertical adjustment



Spring loaded catch

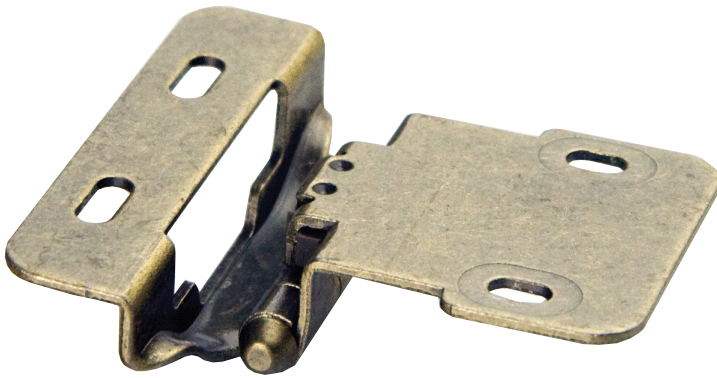
Clip-on release handle

Set screw for lateral adjustment



"FORTE" SELF-CLOSING HINGE

- high quality furniture fittings



Application:
Antique style hinge with visible axle & catch function.

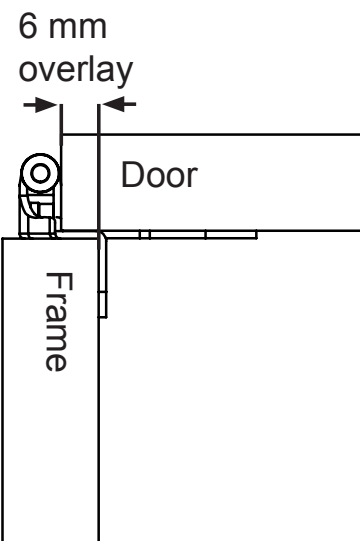
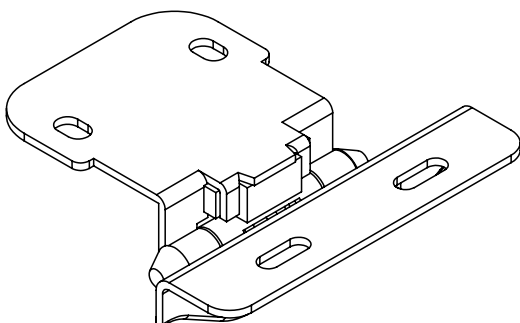
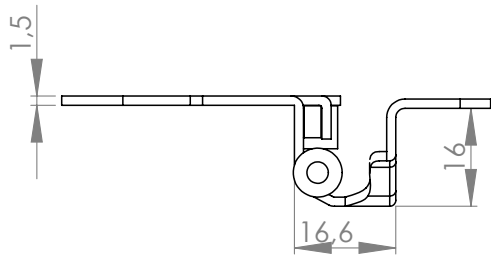
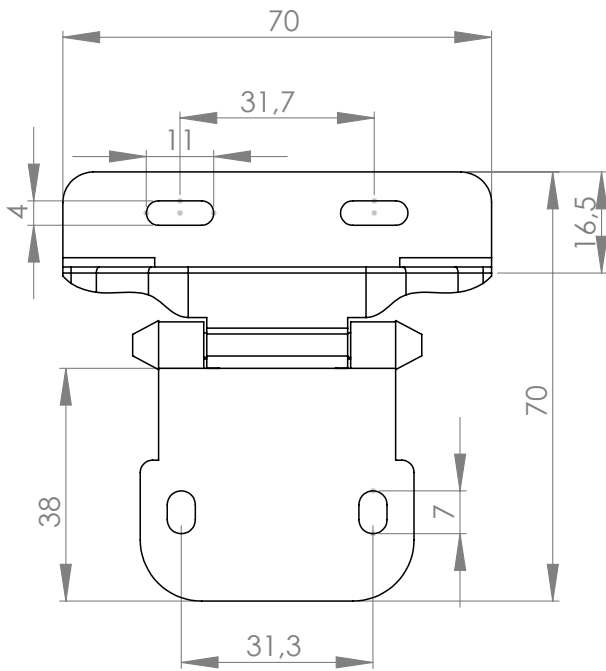
Material: Steel – Bronze plated

Overlay: 6 mm

Overall size: 70 x 70 mm

Item No.: # 15.90.011

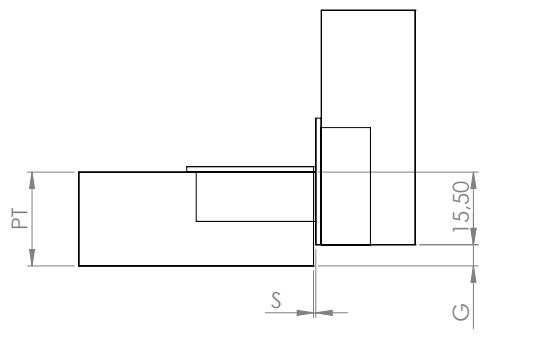
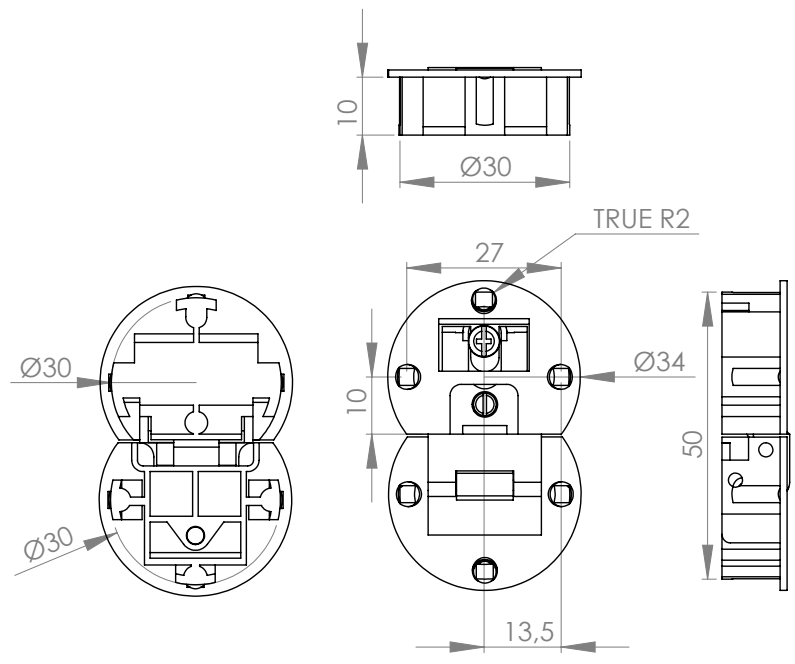
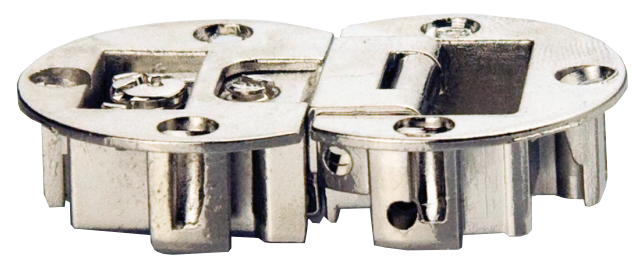
Screws to be ordered separately



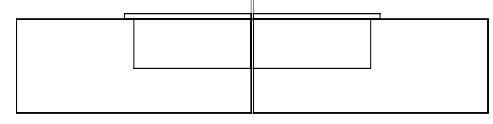
FLAP HINGES

FLAP HINGE, DETACHABLE

Material:	Zamak	
Finish:	Bronzed	# 15.09.077
	Nickel Plated	# 15.09.078
Size:	Ø 30 x 10 mm	
Opening:	90 degree	



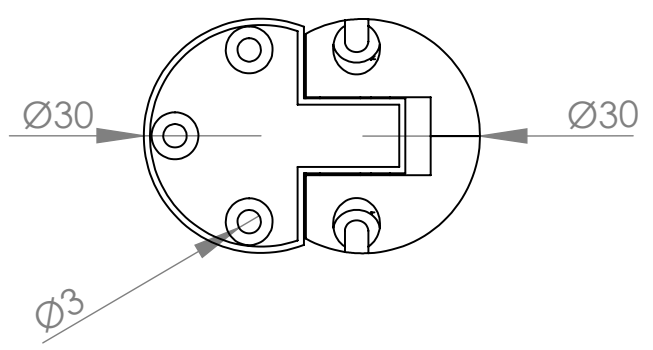
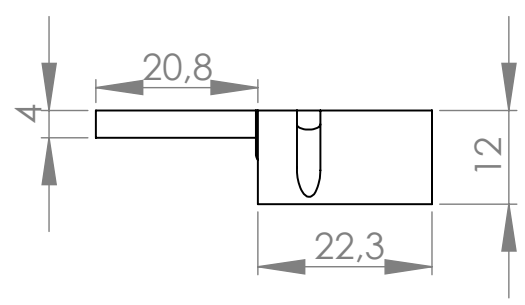
S: Adjustable 0 - 2,50 mm



PT = Plate thickness	G = Gap
16 mm	0,50 mm
17 mm	1,50 mm
18 mm	2,50 mm
19 mm	3,50 mm
20 mm	4,50 mm
21 mm	5,50 mm
22 mm	6,50 mm

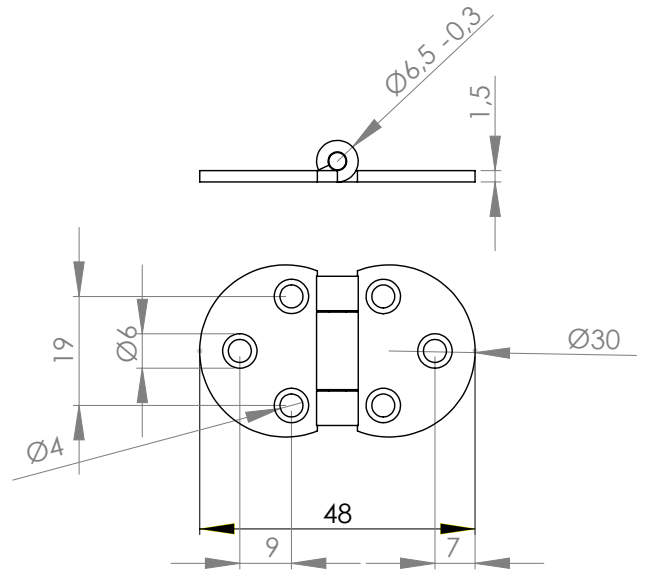
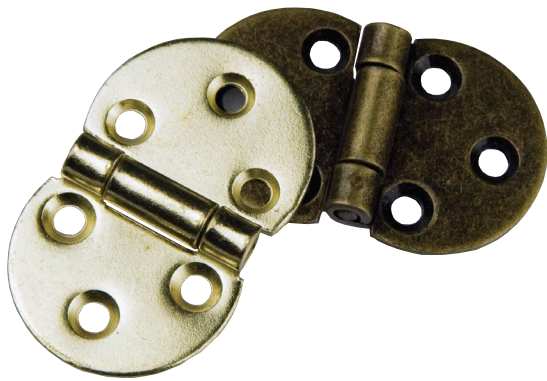
FLAP HINGE, FOR THIN FLAPS

Material:	Flap : Zamak	
	House: Plastic	
Size:	Ø 30 x 12 mm	(House)
	Ø 30 x 4 mm	(Flap)
Opening:	90 Degree	
Finish:	White/Nickel	# 15.09.105
	Brown/Nickel	# 15.09.120



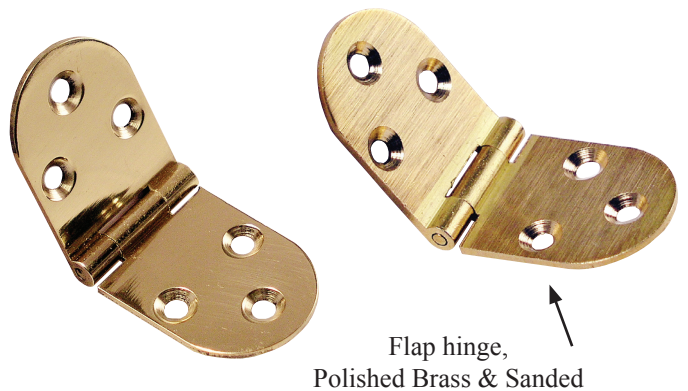
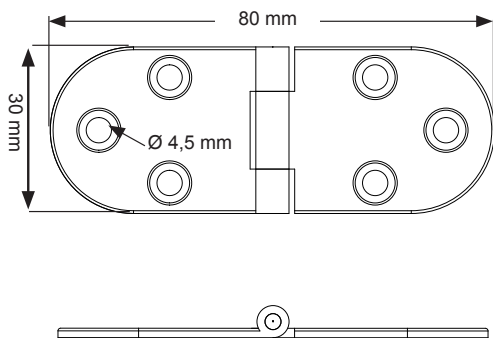
STEEL FLAP HINGES

Material:	Steel		
Size:	Ø 30 x 1,5 mm		
Holes:	Ø 4 mm		
Finish:	Brass Plated (BPL)	# 15.09.410	
	Bronzed	# 15.09.411	



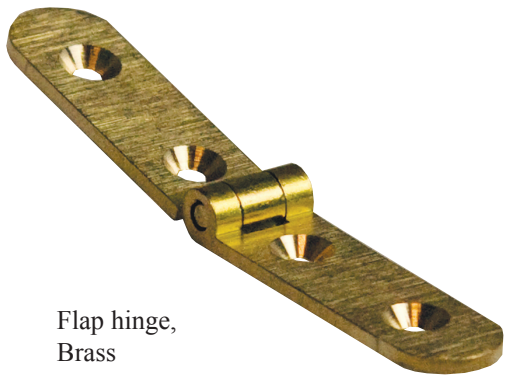
BRASS & SS-316 FLAP HINGES

Material:	Brass or Stainless Steel (SS) AISI 316		
Screw holes:	Ø 4,5 mm		
Size	Material	Finish	Item No.
30 x 80 x 1,75 mm	Brass	Polished	15.11.220
30 x 80 x 1,75 mm	Brass	Sanded	15.11.230
30 x 80 x 2,00 mm	SS	Polished	15.11.190



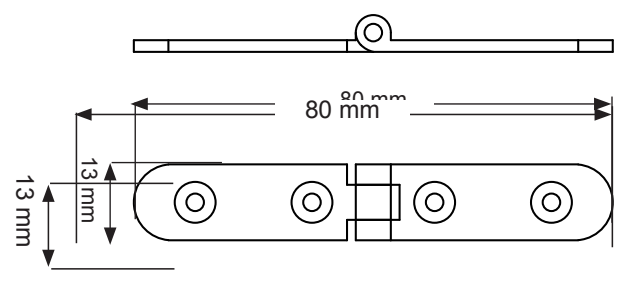
FLAP HINGES

BRASS FLAP HINGE "SLIM"



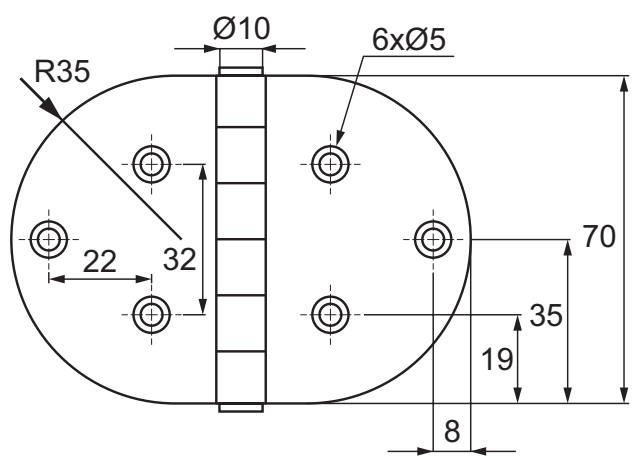
Flap hinge,
Brass

Material:	Brass		
Screw holes:	Ø 3 mm		
Size	Material	Finish	Item No.
13 x 80 x 1,75 mm	Brass	Sanded	15.11.215



SS-304 FLAP HINGE

Material:	SS-304 - brushed
Screw holes:	Ø 5 mm
Size:	98 x 70 x 2 mm
Item No.:	# 22.23.170
Incl. 6 CSK M4 x 8 mm screws	



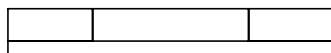
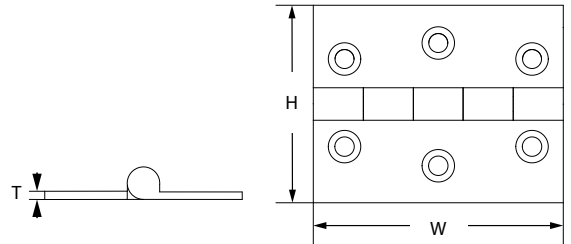
BRASS BUTT HINGES



Material: Brass or Stainless Steel (SS) AISI 316

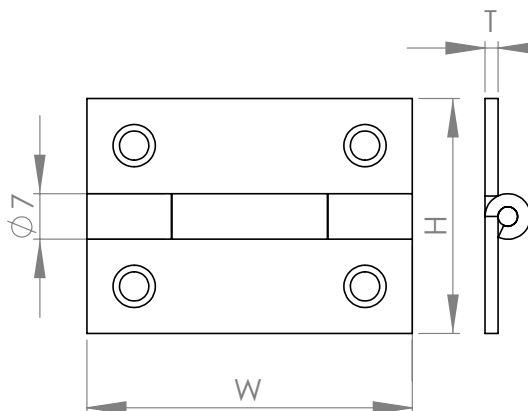
Screw holes: Ø 3,5 mm

Size: W/H/T	Material	Finish	Item No.
40 x 35 x 1,4 mm	Brass	Sanded	# 15.13.060
50 x 40 x 1,4 mm	Brass	Sanded	# 15.13.090
60 x 50 x 1,8 mm	Brass	Polished	# 15.13.125

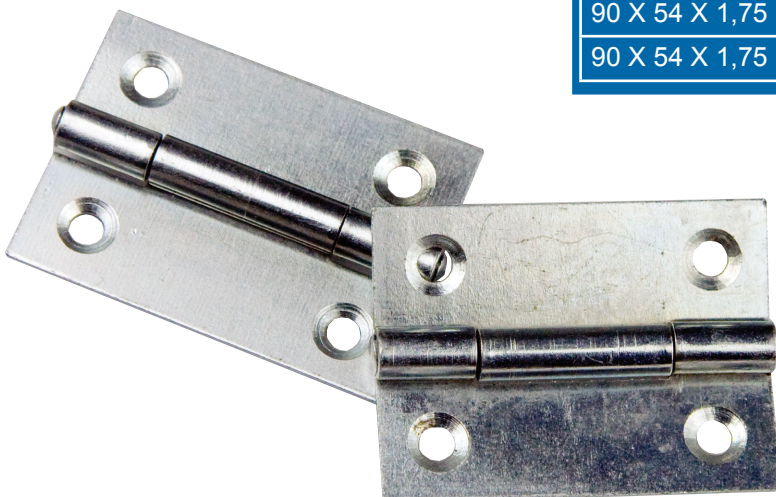


STEEL BUTT HINGES

Material: Steel
Finish: Bright Zinc Plated (BZP)
 Brass Plated (BPL)

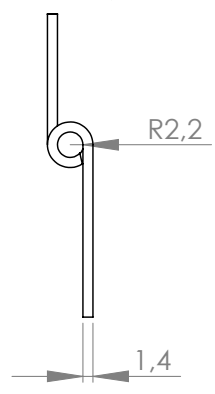
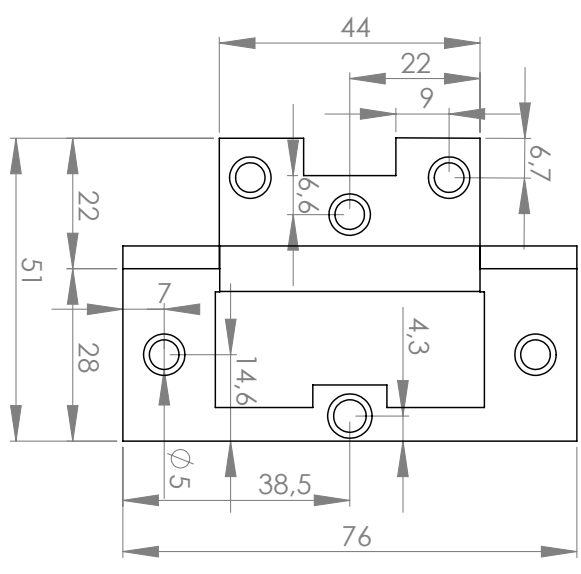
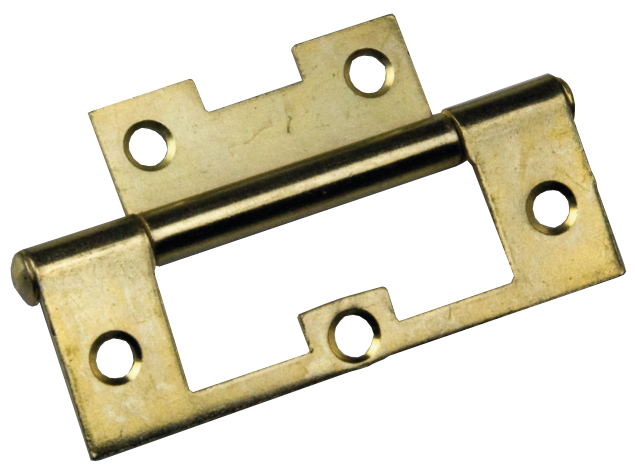


Size: W/H/T	Screw Holes	Finish	Item No.
25 x 24 x 1,2 mm	4 x Ø 4 mm	BZP	# 15.13.050
25 x 24 x 1,2 mm	4 x Ø 4 mm	BPL	# 15.13.051
40 x 33 x 1,4 mm	4 x Ø 4 mm	BZP	# 15.13.055
50 x 37 x 1,5 mm	4 x Ø 4,5 mm	BPL	# 15.13.083
50 x 37 x 1,5 mm	6 x Ø 5,5 mm	BZP	# 15.13.085
65 x 41 x 1,5 mm	6 x Ø 4,5 mm	BZP	# 15.13.130
65 x 41 x 1,5 mm	6 x Ø 4,5 mm	BPL	# 15.13.131
75 x 48 x 1,5 mm	6 x Ø 5 mm	BZP	# 15.13.211
75 x 48 x 1,5 mm	6 x Ø 5 mm	BPL	# 15.13.212
90 X 54 X 1,75 mm	6 x Ø 6 mm	BZP	# 15.13.216
90 X 54 X 1,75 mm	6 x Ø 6 mm	BPL	# 15.13.217



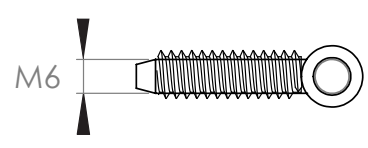
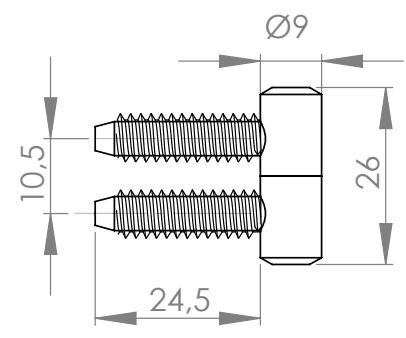
FLUSH HINGE "STRAIGHT"

Material:	Steel, Brass Plated
Size:	76 x 28 x 1,4 mm
Screw holes:	Ø5 mm
Item No.:	# 15.20.200



PIN HINGE F/WOODEN CABINETS

Material:	Steel
Size:	Ø9 x 26 mm
Finish:	Brass Plated
Item No.:	# 15.08.040

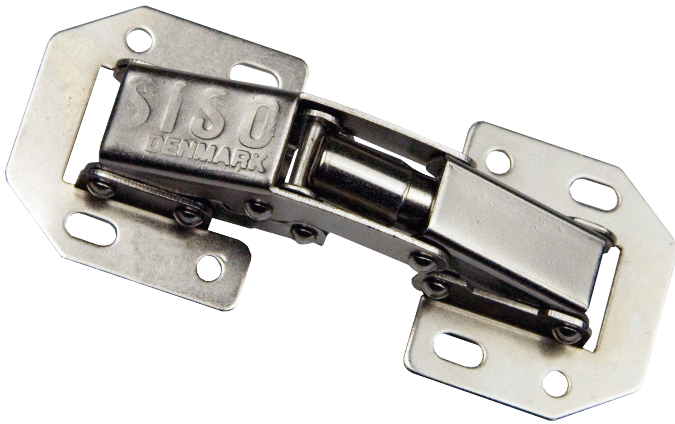


CARAVAN HINGES

- high quality furniture fittings



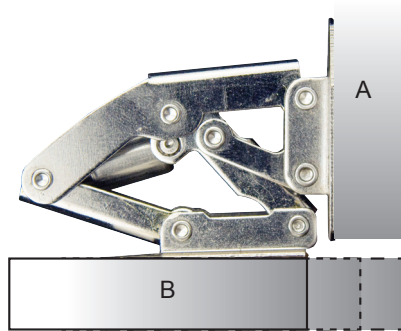
MIGNON HINGE 90° Spring loaded



Material: Steel 1,5 mm or SS 304
Finish: Nickel Plated (NPL)
 Bright Zinc Plated (BZP)

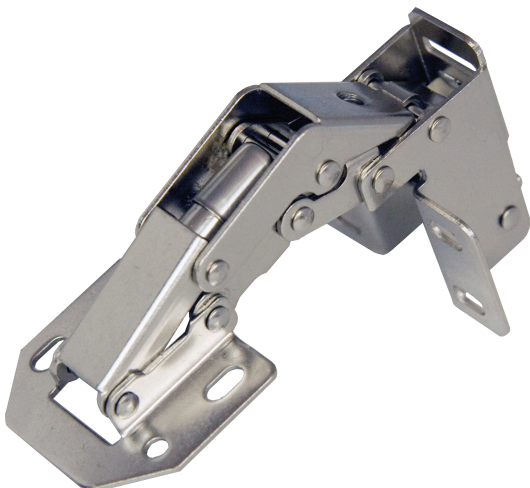
Panel thickness: Max. 20 mm

Item No.	Steel NPL	# 15.05.061
	Steel BZP (extra strong spring)	# 15.05.051
	SS 304	# 15.05.065



Full overlay - Half overlay - Inset doors

SPRING LOADED CARAVAN HINGE

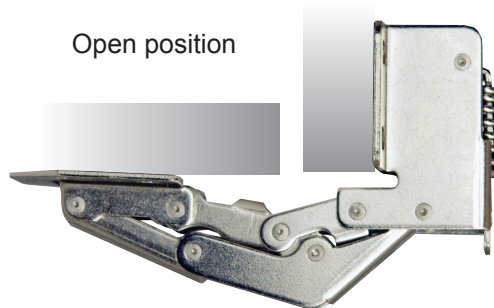


Material: Steel 1,5 mm
Finish: Nickel Plated (NPL)

Panel thickness: Max. 19 mm

Item No. # 15.05.120

Open position



Closed position





**CABINET HINGE "3D",
103 DG, SOFT CLOSE**

Material: Zamak - black

Door thickness: 18 – 32 mm

Opening: 103 degrees

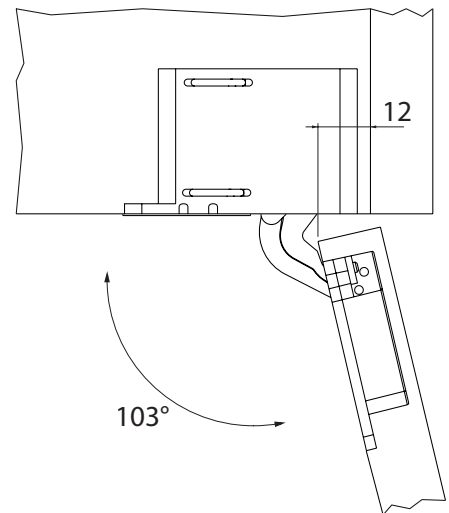
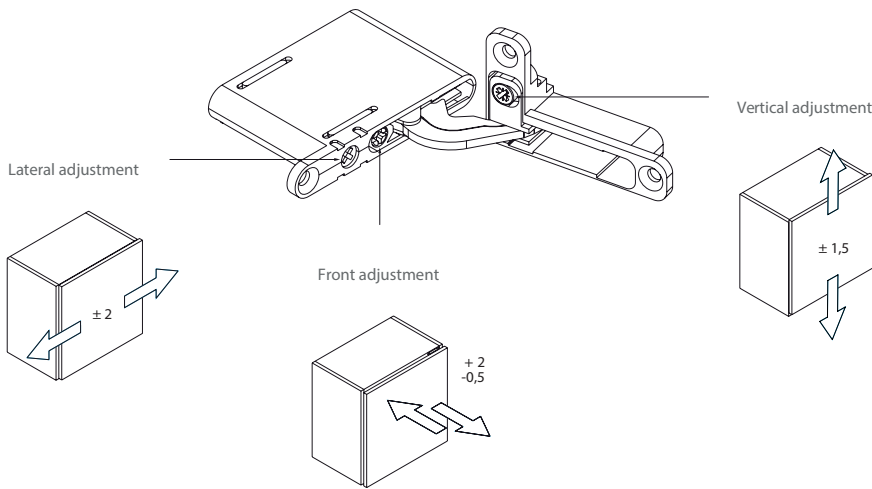
Load capacity: 20 kg pr. door.

Item No.:

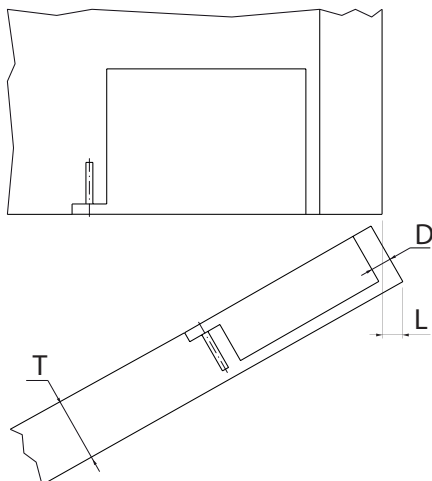
- Black – right hand # 15.04.001**
- Black – left hand # 15.04.002**

Incl. black plastic cover plate

Hinge for swing doors mounted recessed into milled panels. Lateral, frontal and vertical adjustment of the door. Installation on doors with alu frames possible by use of corner brackets.



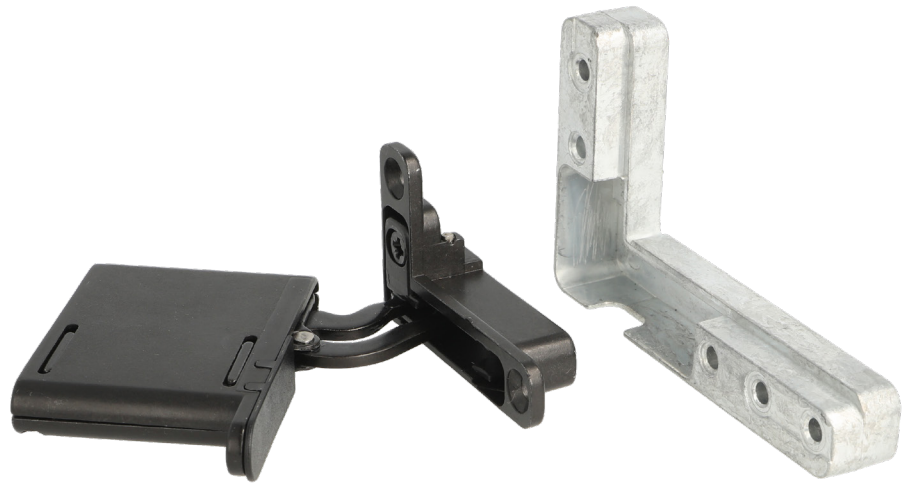
SPACE REQUIRED FOR THE DOOR OPENING



L \ T	18	20	22	24	26	28	30	32
3	0.0	0.2	0.5	0.9	1.4	2.1	3.1	4.7
4	0.0	0.2	0.5	0.9	1.4	2.0	2.9	4.2
5	0.0	0.2	0.5	0.8	1.3	2.0	2.8	3.9
6	0.0	0.2	0.5	0.8	1.3	1.9	2.7	3.7

CORNER BRACKET "3D" - FOR ALU FRAMES

- high quality furniture fittings



CORNER BRACKET "3D"

Application:
Corner brackets for aluminum profile doors.

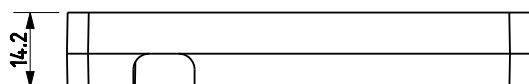
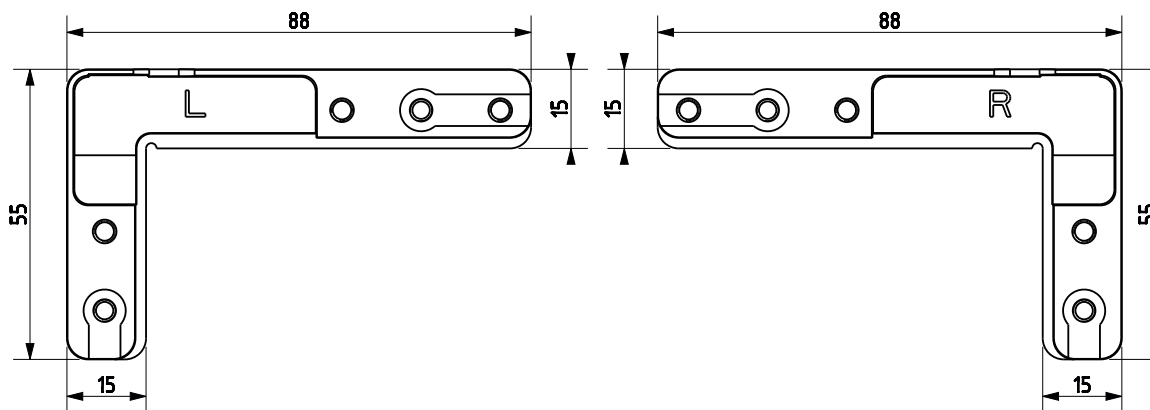
Material: Zamak - raw

Size: 55 x 88 x 14,2 mm

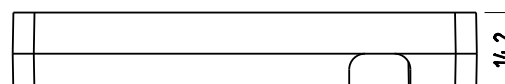
Item No.:

Raw – right hand # 15.04.010

Raw – left hand # 15.04.011



Item: 15.04.011-0

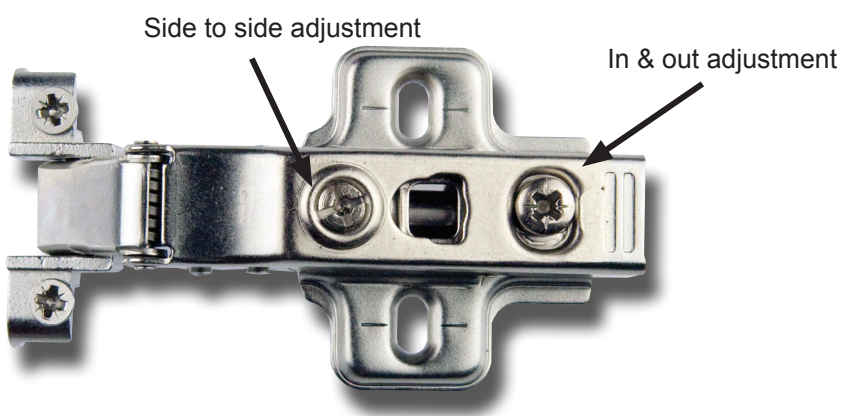


Item: 15.04.010-0

SOFT CLOSE ALUMINIUM FRAME HINGE -100°

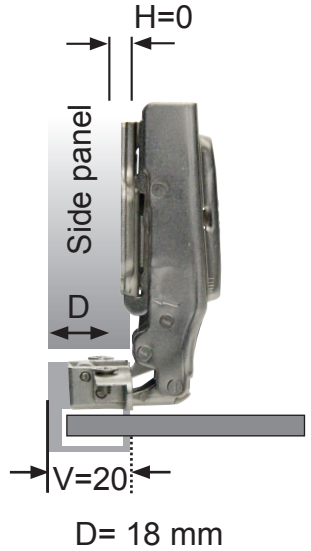


**SOFT CLOSE
CLIP-ON
FI 19-24 MM PANEL**

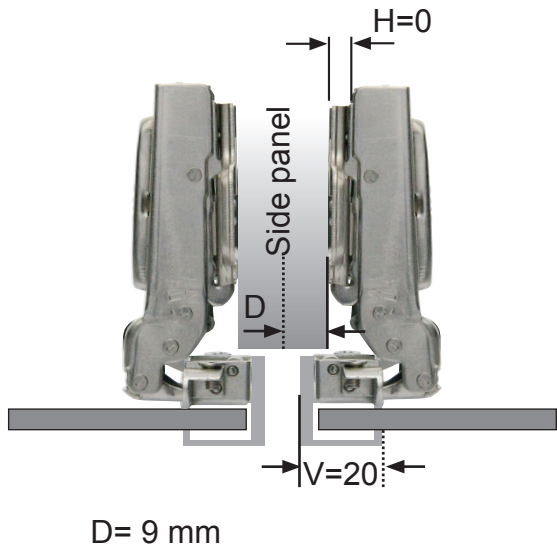


- H = height of mounting plate
- D = required door overlay
- V = width of aluminium frame
- A = gap between door and sidepanel

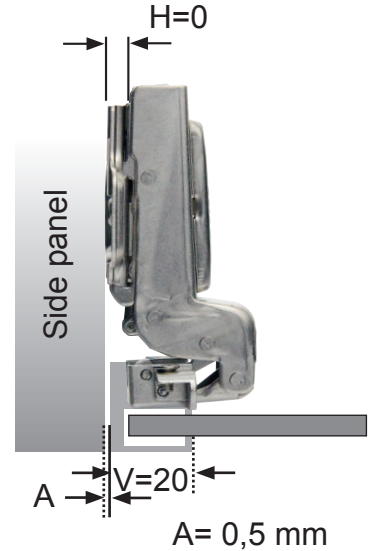
Full overlay (A)



Half overlay (B)



Inset (C)

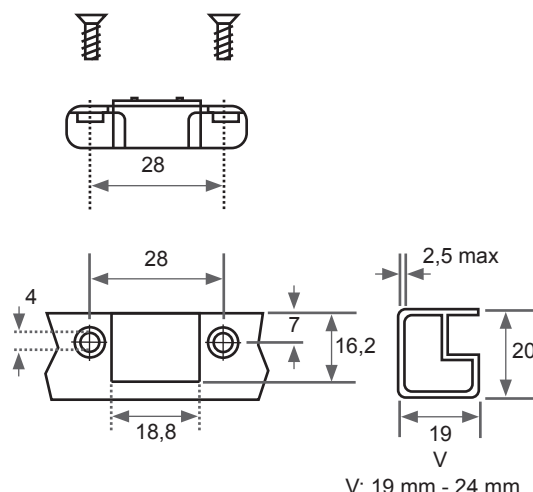


SOFT CLOSE ALUMINIUM FRAME HINGE -100°

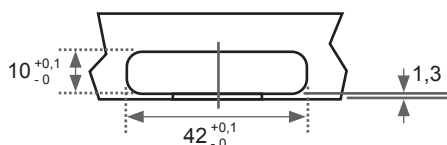
- high quality furniture fittings



Soft close hinge f/alu frames w/ mounting plate f/ easy up and down adjusting (optional)



Opening angle:	100°
Mounting of hinge: Screw - on c.c.	28 mm
Width of aluminium frame (V):	19-24 mm



Steel - Nickel Plated		Item No.	D: Overlay calculations	A: Gap calculations																																
<p>Full overlay (A)</p>		15.03.800 Incl. SISO name plate + mounting plate H = 0	<table border="1"> <tr> <th>D \ V</th> <th>19</th> <th>20</th> <th>21</th> <th>22</th> <th>23</th> </tr> <tr> <th>0</th> <td>17</td> <td>18</td> <td>19</td> <td>20</td> <td>21</td> </tr> <tr> <th>2</th> <td>15</td> <td>16</td> <td>17</td> <td>18</td> <td>19</td> </tr> <tr> <th>4</th> <td>13</td> <td>14</td> <td>15</td> <td>16</td> <td>17</td> </tr> </table>	D \ V	19	20	21	22	23	0	17	18	19	20	21	2	15	16	17	18	19	4	13	14	15	16	17									
D \ V	19	20	21	22	23																															
0	17	18	19	20	21																															
2	15	16	17	18	19																															
4	13	14	15	16	17																															
<p>Half overlay (B)</p> <p>NO STOCK ITEM</p>		15.03.801 Incl. SISO name plate + mounting plate H = 0	<table border="1"> <tr> <th>D \ V</th> <th>19</th> <th>20</th> <th>21</th> <th>22</th> <th>23</th> </tr> <tr> <th>0</th> <td>8</td> <td>9</td> <td>10</td> <td>11</td> <td>12</td> </tr> <tr> <th>2</th> <td>6</td> <td>7</td> <td>8</td> <td>9</td> <td>10</td> </tr> <tr> <th>4</th> <td>4</td> <td>5</td> <td>6</td> <td>7</td> <td>8</td> </tr> </table>	D \ V	19	20	21	22	23	0	8	9	10	11	12	2	6	7	8	9	10	4	4	5	6	7	8									
D \ V	19	20	21	22	23																															
0	8	9	10	11	12																															
2	6	7	8	9	10																															
4	4	5	6	7	8																															
<p>Inset (C)</p> <p>NO STOCK ITEM</p>		15.03.802 Incl. SISO name plate + mounting plate H = 0	<table border="1"> <tr> <th>A \ V</th> <th>19</th> <th>20</th> <th>21</th> <th>22</th> <th>23</th> <th>24</th> </tr> <tr> <th>0</th> <td>1,5</td> <td>0,5</td> <td>-0,5</td> <td>-1,5</td> <td>-2,5</td> <td>-3,5</td> </tr> <tr> <th>2</th> <td>3,5</td> <td>2,5</td> <td>1,5</td> <td>0,5</td> <td>-0,5</td> <td>-1,5</td> </tr> <tr> <th>4</th> <td>5,5</td> <td>4,5</td> <td>3,5</td> <td>2,5</td> <td>1,5</td> <td>0,5</td> </tr> </table>	A \ V	19	20	21	22	23	24	0	1,5	0,5	-0,5	-1,5	-2,5	-3,5	2	3,5	2,5	1,5	0,5	-0,5	-1,5	4	5,5	4,5	3,5	2,5	1,5	0,5					
A \ V	19	20	21	22	23	24																														
0	1,5	0,5	-0,5	-1,5	-2,5	-3,5																														
2	3,5	2,5	1,5	0,5	-0,5	-1,5																														
4	5,5	4,5	3,5	2,5	1,5	0,5																														
	<p>Cabinet edge</p>	H = 0 f/chipboard screws Clip-on	Delivered as standard mounting plate with all hinges. Chipboard screws to be ordered separately.																																	
	<p>Cabinet edge</p>	15.03.724-0 H = 0 f/euro screws Clip-on	To be ordered separately if easy up & down adjustment is wanted. Pre-mounted euro screws included.																																	

PIVOT HINGE "HODOR" F/8-12 MM DOORS

Application:

Pivot hinge for inset doors. Top & bottom hinge.
 With catch function. Drilling required.
 Angle adjustment by use of sloping gaskets.
 160 degrees opening.

Cabinet panel thickness from 10mm.

Material: Aluminum – chrome pl. or black matt

Size: 45 x 85 x 43 mm (W/L/H)

Door thickness: 8 – 12 mm

Drilling: Ø 12 mm
 Max load capacity: 38 kg per door.
 Max. door size: 600 x 2000 x 12mm (W/H/T)
 1 pair = 1 top + 1 bottom hinge

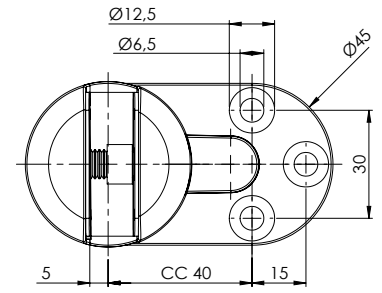
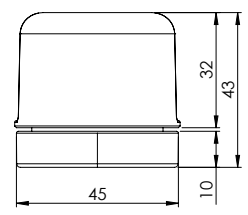
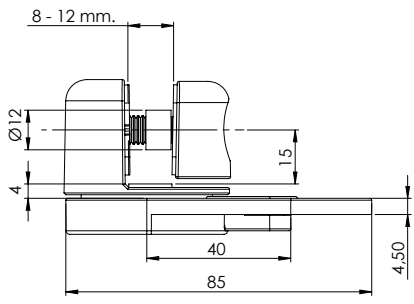
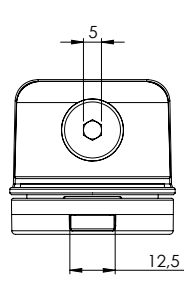
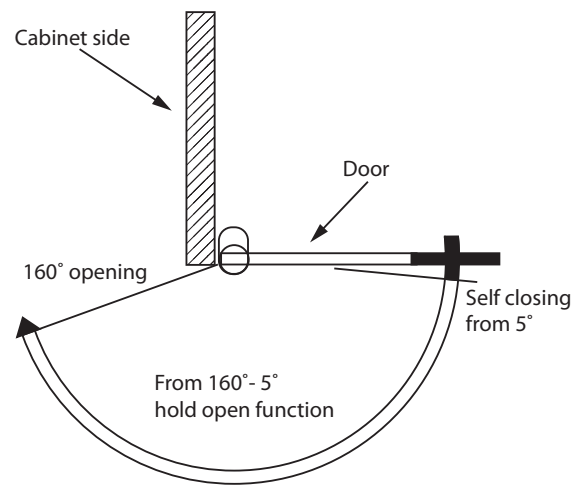
Item No.:

Chrome plated	# 15.06.080
Black matt	# 15.06.082

Incl. 6 CSK steel screws Ø6 x 18 mm, 4 transparent PVC gaskets in 1mm & 2 black PA sloping gaskets for angle adjustment.

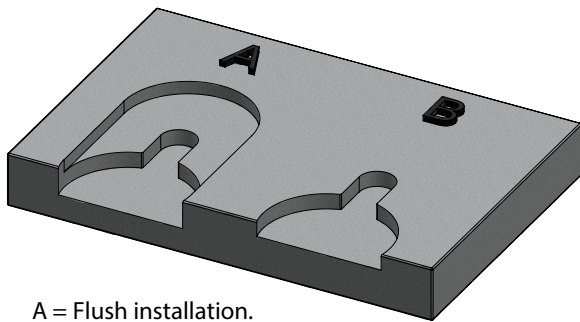


TÜV Approved
 EN 15570:2008
 80.000 Cycles



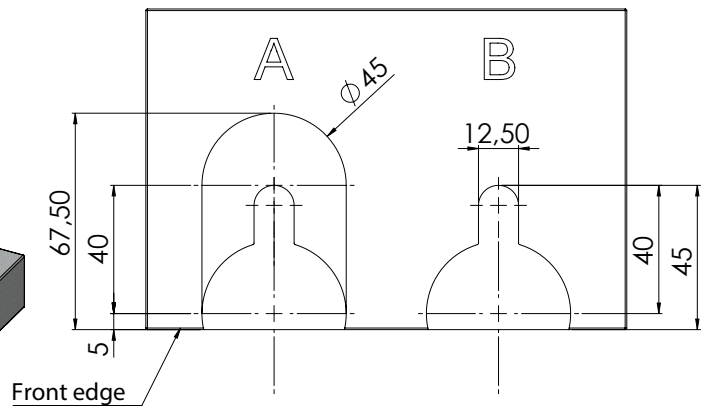
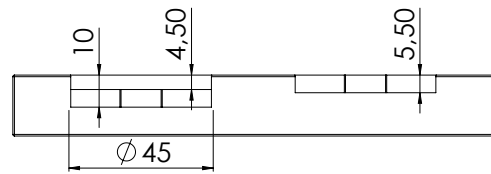
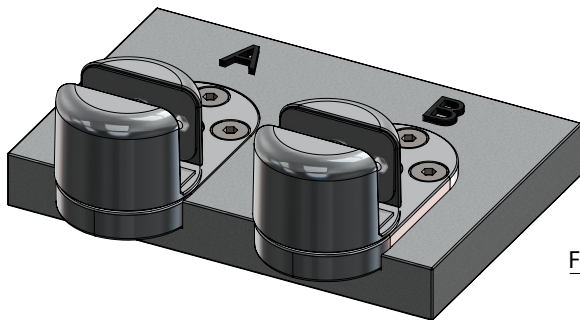
PIVOT HINGE "HODOR" INSTALLATION

- high quality furniture fittings

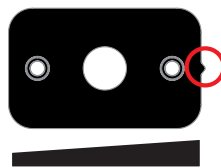
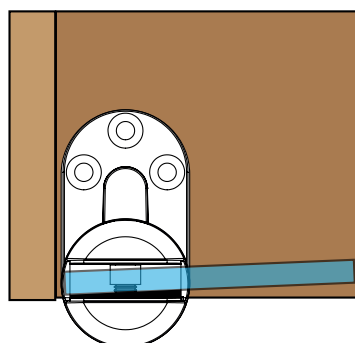
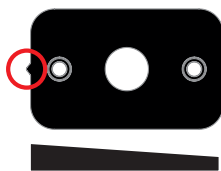
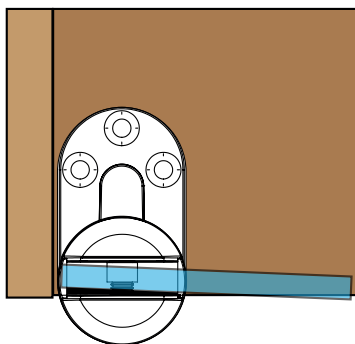


A = Flush installation.

B = Elevated installation 4,5mm.



Angle adjustment by use of sloping gaskets.



GLASS DOOR HINGES "MINI" WITH FRONT COVER

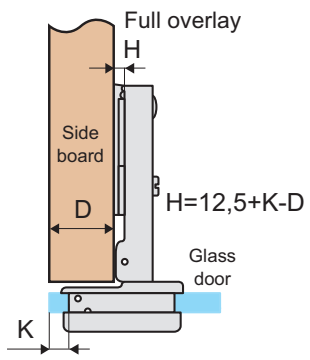
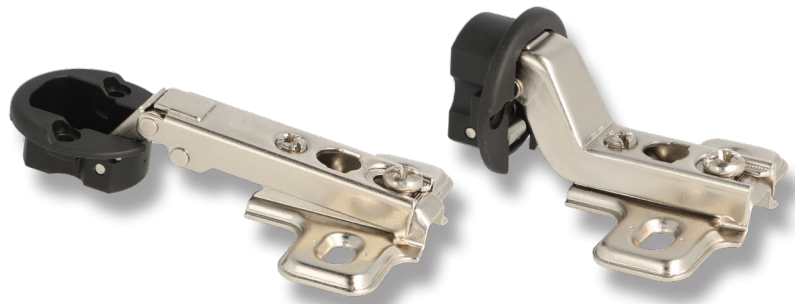
GLASS DOOR HINGE "MINI"

Application:
For inset or full overlay doors

Material: Steel hinge & plastic cup
Opening: 95 DG
Glass thickness: 4 -6 mm
Glass drilling: \varnothing 26 mm
Hinge arm: Slide-on type
Finish: Nickel Plated

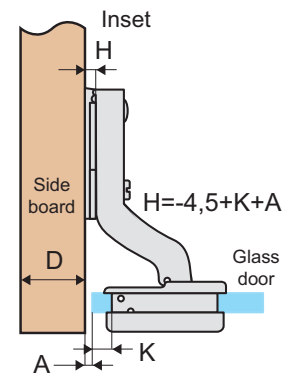
Type A = Full overlay doors
0 mm cranking # 15.01.701

Type C = Inset doors
17 mm cranking # 15.01.711

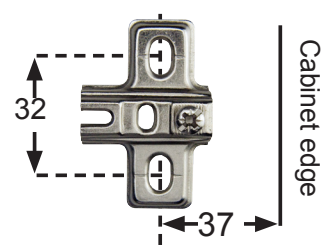


D	K	4	5	6
H		1,5	15	16

Application case
of glass hinge \varnothing 26 mm
H - height of mounting plate
D - panel thickness
K - drilling distance from
the edge of glass door
to the edge of the hole
A - gap between door
and side board



A	K	4	5	6
H		1,5	2,5	1,5
			0,5	



COVER CAPS FOR HINGE "MINI"

COVER CAPS FOR HINGE "MINI"

Material: Plastic - PA

Round cover - \varnothing 30 mm
Chrome Pl. # 15.01.820
Alu look # 15.01.821
Black # 15.01.822

Oval cover - 40 x 30 mm
Chrome Pl. # 15.01.830
Alu look # 15.01.831
Black # 15.01.832



GLASS DOOR HINGES "SMART-92"⁰ WITH FRONT COVER

- high quality furniture fittings



GLASS DOOR HINGE „SMART-92“⁰

Application

For inset doors. Ideal for furniture where only a very narrow wooden side-wall/pole is available. Direct fixing to side-wall/pole without any mounting plate

Mounting

Glass door drilling: $\varnothing 26$ mm
Glass thickness: 4-6 mm C.C. 32 mm

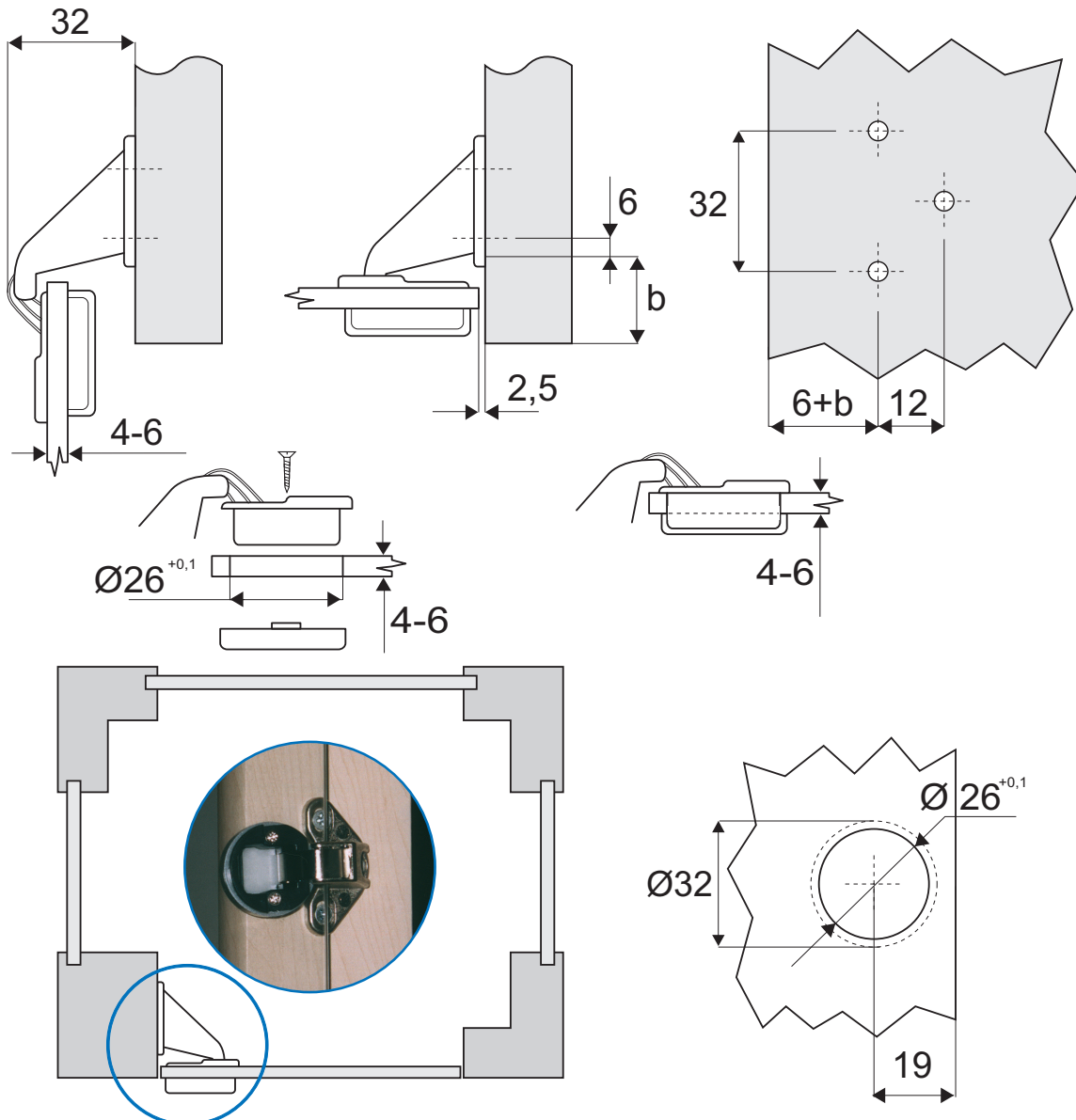
Material

Hinge arm: Zamak, nickel plated
Hinge cup: Black plastic

Item No. # 15.01.000

Plastic cover cap $\varnothing 32$ mm

Finish Alu finish # 15.01.050

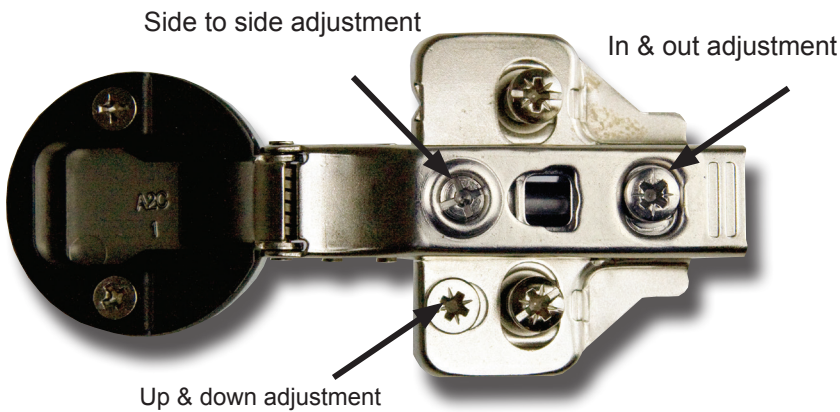




Standard model

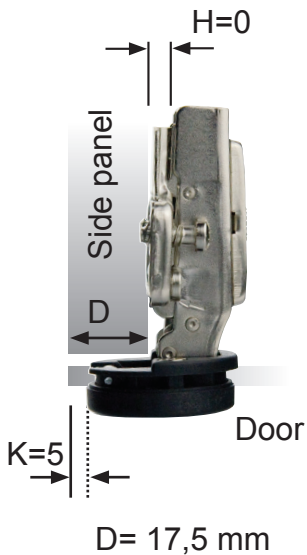
**SOFT CLOSE
CLIP-ON
FI 4-6 MM GLASS
Ø 26 MM**

Hinge w/mounting plate f/easy up & down adjustment (optional)

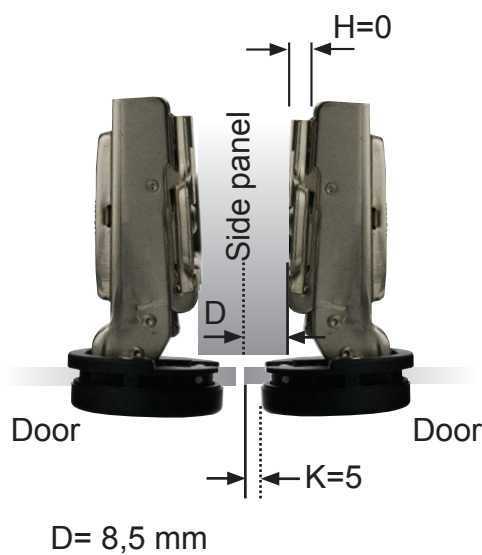


- H =** height of mounting plate
- D =** required door overlay
- K =** drilling distance from the edge of door to the edge of the cup hole
- A =** gap between door and side panel
- L =** gap between door and carcass

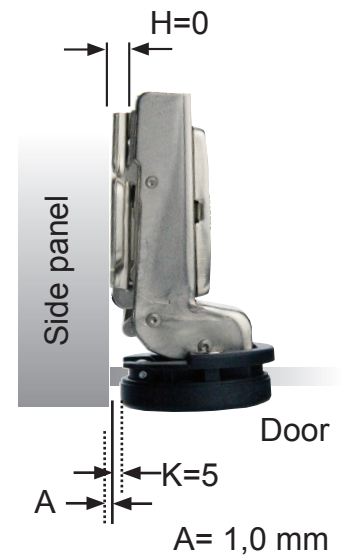
Full overlay (A)



Half overlay (B)



Inset (C)



SOFT CLOSE MINI GLASS DOOR HINGE Ø 26 MM - 95°

- high quality furniture fittings



Cup drawing



Opening angle:	95°
Depth of hinge cup:	10,6 mm
Diameter of hinge cup:	26 mm
Possible drilling distances on the glass door (K):	4-7 mm
Glass door thickness:	4-6 mm

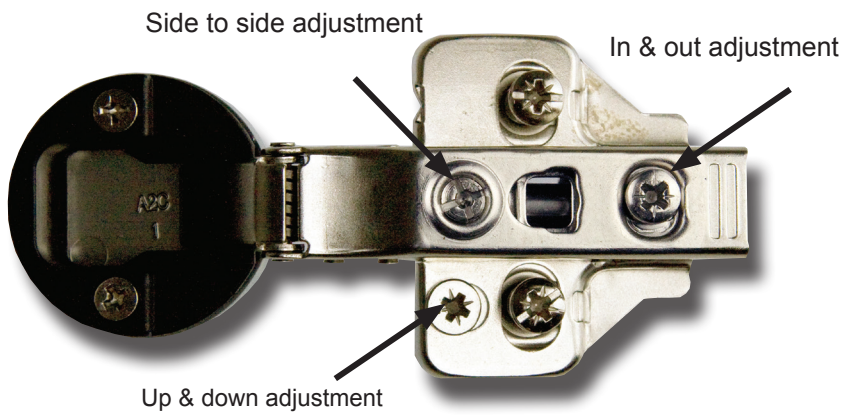
Steel - Nickel Plated		Item No.	D: Overlay calculations	A: Gap between door and side panel	L: Gap between door and carcass																																							
Full overlay (A) 	<p>$H=10,5+K-(D)$</p>	15.01.720 Incl. SISO name plate + mounting plate H = 0	<table border="1"> <tr> <th>D \ K</th> <th>4</th> <th>5</th> <th>6</th> <th>7</th> </tr> <tr> <th>0</th> <td>14,5</td> <td>15,5</td> <td>16,5</td> <td>17,5</td> </tr> <tr> <th>2</th> <td>12,5</td> <td>13,5</td> <td>14,5</td> <td>15,5</td> </tr> <tr> <th>4</th> <td>10,5</td> <td>11,5</td> <td>12,5</td> <td>13,5</td> </tr> </table>	D \ K	4	5	6	7	0	14,5	15,5	16,5	17,5	2	12,5	13,5	14,5	15,5	4	10,5	11,5	12,5	13,5	<table border="1"> <tr> <th>L \ K</th> <th>4</th> <th>5</th> <th>6</th> <th>7</th> </tr> <tr> <th>4</th> <td>0</td> <td>0</td> <td>1</td> <td>2</td> </tr> <tr> <th>5</th> <td>0</td> <td>0,1</td> <td>1,1</td> <td>2,1</td> </tr> <tr> <th>6</th> <td>0</td> <td>0,2</td> <td>1,2</td> <td>2,2</td> </tr> </table>	L \ K	4	5	6	7	4	0	0	1	2	5	0	0,1	1,1	2,1	6	0	0,2	1,2	2,2
D \ K	4	5	6	7																																								
0	14,5	15,5	16,5	17,5																																								
2	12,5	13,5	14,5	15,5																																								
4	10,5	11,5	12,5	13,5																																								
L \ K	4	5	6	7																																								
4	0	0	1	2																																								
5	0	0,1	1,1	2,1																																								
6	0	0,2	1,2	2,2																																								
Half overlay (B) 	<p>$H=1,5+K-(D)$</p>	15.01.721 Incl. SISO name plate + mounting plate H = 0	<table border="1"> <tr> <th>D \ K</th> <th>4</th> <th>5</th> <th>6</th> <th>7</th> </tr> <tr> <th>0</th> <td>5,5</td> <td>6,5</td> <td>7,5</td> <td>8,5</td> </tr> <tr> <th>2</th> <td>3,5</td> <td>4,5</td> <td>5,5</td> <td>6,5</td> </tr> <tr> <th>4</th> <td>1,5</td> <td>2,5</td> <td>3,5</td> <td>4,5</td> </tr> </table>	D \ K	4	5	6	7	0	5,5	6,5	7,5	8,5	2	3,5	4,5	5,5	6,5	4	1,5	2,5	3,5	4,5	<table border="1"> <tr> <th>L \ K</th> <th>4</th> <th>5</th> <th>6</th> <th>7</th> </tr> <tr> <th>4</th> <td>0</td> <td>0</td> <td>1</td> <td>2</td> </tr> <tr> <th>5</th> <td>0</td> <td>0,1</td> <td>1,1</td> <td>2,1</td> </tr> <tr> <th>6</th> <td>0</td> <td>0,2</td> <td>1,2</td> <td>2,2</td> </tr> </table>	L \ K	4	5	6	7	4	0	0	1	2	5	0	0,1	1,1	2,1	6	0	0,2	1,2	2,2
D \ K	4	5	6	7																																								
0	5,5	6,5	7,5	8,5																																								
2	3,5	4,5	5,5	6,5																																								
4	1,5	2,5	3,5	4,5																																								
L \ K	4	5	6	7																																								
4	0	0	1	2																																								
5	0	0,1	1,1	2,1																																								
6	0	0,2	1,2	2,2																																								
Inset (C) 	<p>$H=-8,5+K+(A)$</p>	15.01.722 Incl. SISO name plate + mounting plate H = 0	<table border="1"> <tr> <th>A \ K</th> <th>4</th> <th>5</th> <th>6</th> <th>7</th> </tr> <tr> <th>0</th> <td>4,5</td> <td>5,5</td> <td>6,5</td> <td>7,5</td> </tr> <tr> <th>2</th> <td>6,5</td> <td>7,5</td> <td>8,5</td> <td>9,5</td> </tr> </table>	A \ K	4	5	6	7	0	4,5	5,5	6,5	7,5	2	6,5	7,5	8,5	9,5	<table border="1"> <tr> <th>L \ K</th> <th>4</th> <th>5</th> <th>6</th> <th>7</th> </tr> <tr> <th>4</th> <td>0</td> <td>0</td> <td>1</td> <td>2</td> </tr> <tr> <th>5</th> <td>0</td> <td>0,1</td> <td>1,1</td> <td>2,1</td> </tr> <tr> <th>6</th> <td>0</td> <td>0,2</td> <td>1,2</td> <td>2,2</td> </tr> </table>	L \ K	4	5	6	7	4	0	0	1	2	5	0	0,1	1,1	2,1	6	0	0,2	1,2	2,2					
A \ K	4	5	6	7																																								
0	4,5	5,5	6,5	7,5																																								
2	6,5	7,5	8,5	9,5																																								
L \ K	4	5	6	7																																								
4	0	0	1	2																																								
5	0	0,1	1,1	2,1																																								
6	0	0,2	1,2	2,2																																								
		H = 0 f/chipboard screws Clip-on	Delivered as standard mounting plate with all hinges. Chipboard screws to be ordered separately.																																									
		15.03.724-0 H = 0 f/euro screws Clip-on	To be ordered separately if easy up & down adjustment is wanted. Pre-mounted euro screws included.																																									
15.01.830 , ABS Chrome plated cover	15.01.831 , ABS Alu plated cover	15.01.820 , ABS Chrome plated cover	15.01.821 , ABS Alu plated cover																																									



Standard model

**SOFT CLOSE
CLIP-ON
FI 4-6 MM GLASS
Ø 35 MM**

Hinge w/mounting plate f/easy up & down adjustment (optional)

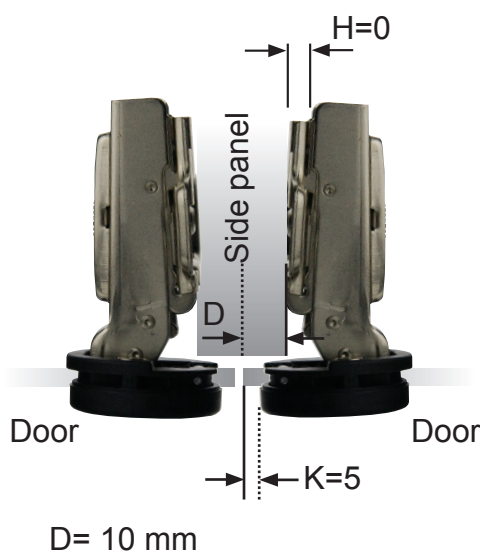


- H** = height of mounting plate
- D** = required door overlay
- K** = drilling distance from the edge of door to the edge of the cup hole
- A** = gap between door and side panel

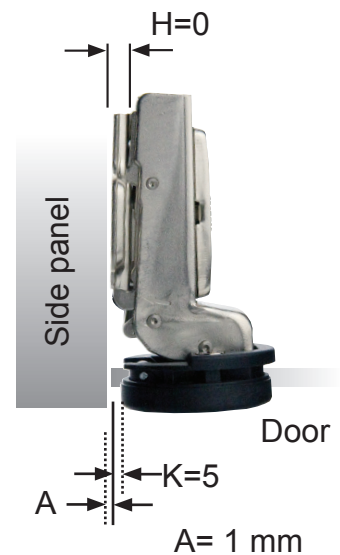
Full overlay (A)



Half overlay (B)



Inset (C)



SOFT CLOSE MAXI GLASS DOOR HINGE Ø 35 MM -100°

- high quality furniture fittings


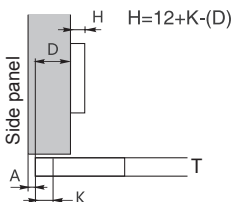

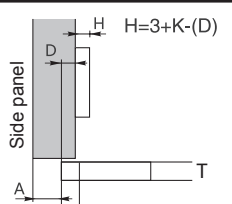

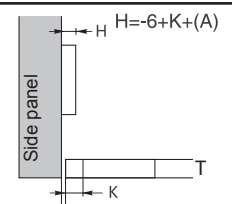



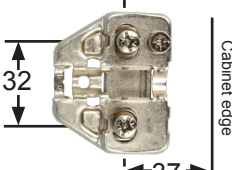






Cup drawing



Opening angle: 100°
 Depth of hinge cup: 11,3 mm
 Diameter of hinge cup: 35 mm
 Possible drilling distances on the glass door (K): 4-6 mm
 Glass door thickness: 4-6 mm



Steel - Nickel Plated		Item No.	D: Overlay calculations	A: Gap between door and sidepanel																
Full overlay (A) 		15.01.715 Incl. SISO name plate + mounting plate H = 0	<table border="1"> <tr> <th>D \ K</th> <th>4</th> <th>5</th> <th>6</th> </tr> <tr> <th>H</th> <td>0</td> <td>16</td> <td>17</td> </tr> <tr> <td>2</td> <td>14</td> <td>15</td> <td>16</td> </tr> <tr> <td>4</td> <td>10</td> <td>11</td> <td>12</td> </tr> </table>	D \ K	4	5	6	H	0	16	17	2	14	15	16	4	10	11	12	
D \ K	4	5	6																	
H	0	16	17																	
2	14	15	16																	
4	10	11	12																	
Half overlay (B) 		15.01.716 Incl. SISO name plate + mounting plate H = 0	<table border="1"> <tr> <th>D \ K</th> <th>4</th> <th>5</th> <th>6</th> </tr> <tr> <th>H</th> <td>0</td> <td>7</td> <td>8</td> </tr> <tr> <td>2</td> <td>5</td> <td>6</td> <td>7</td> </tr> <tr> <td>4</td> <td>3</td> <td>4</td> <td>5</td> </tr> </table>	D \ K	4	5	6	H	0	7	8	2	5	6	7	4	3	4	5	
D \ K	4	5	6																	
H	0	7	8																	
2	5	6	7																	
4	3	4	5																	
Inset (C) 		15.01.717 Incl. SISO name plate + mounting plate H = 0	<table border="1"> <tr> <th>A \ K</th> <th>4</th> <th>5</th> <th>6</th> </tr> <tr> <th>H</th> <td>0</td> <td>2</td> <td>3</td> </tr> <tr> <td>2</td> <td>4</td> <td>5</td> <td>6</td> </tr> <tr> <td>4</td> <td>6</td> <td>7</td> <td>8</td> </tr> </table>	A \ K	4	5	6	H	0	2	3	2	4	5	6	4	6	7	8	
A \ K	4	5	6																	
H	0	2	3																	
2	4	5	6																	
4	6	7	8																	
		H = 0 f/chipboard screws Clip-on	Delivered as standard mounting plate with all hinges. Chipboard screws to be ordered separately.																	
		15.03.724-0 H = 0 f/euro screws Clip-on	To be ordered separately if easy up & down adjustment is wanted. Pre-mounted euro screws included.																	
																				
15.01.810 , ABS Chrome plated cover	15.01.811 , ABS Alu plated cover	15.01.800 , ABS Chrome plated cover	15.01.801 , ABS Alu plated cover																	

GLASS DOOR HINGE "NICE"

MODEL "NICE"

Finish

Chrome plated w/catch # 15.06.450

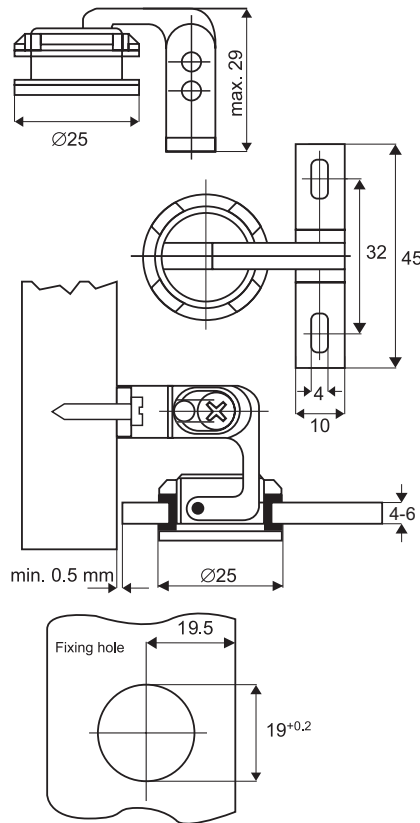
Material

Brass

Mounting

Inset doors 4-6 mm thickness
without catch

Opening angle: 105°
universal top or bottom
height can be adjusted.
Drill size 19 mm diam.



GLASS DOOR HINGE "GRACE" SS304 FOR WOOD/GLASS

MODEL "GRACE"

Mounting:

Glass: Ø 10 mm boring holes

Wood: 7 x 4 mm screw holes

Material: Stainless steel 304
- polished

Hinge size:

52 x 31 x 13 mm (H/W/D)

Glass thickness: 5 - 8,76 mm

Max door size: 650 x 900 mm

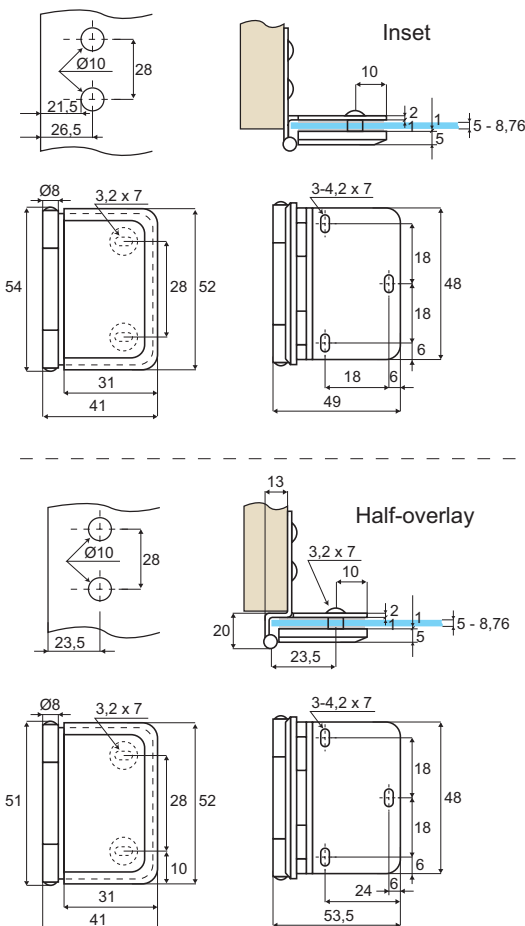
Max door weight: 6 kg per hinge

Function: Inset or half-overlay
Opening 180°

Inset: # 15.06.470

Half-overlay: # 15.06.471

Each hinge is supplied with 2 white
cushions 1 mm thickness



GLASS DOOR HINGE "SOFIA" GLASS TO GLASS 180°

- high quality furniture fittings



Application:

Suitable for glass door
Drilling/cutting required

Opening: 180°

Glass thickness: 6 mm

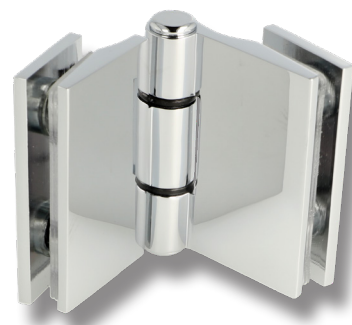
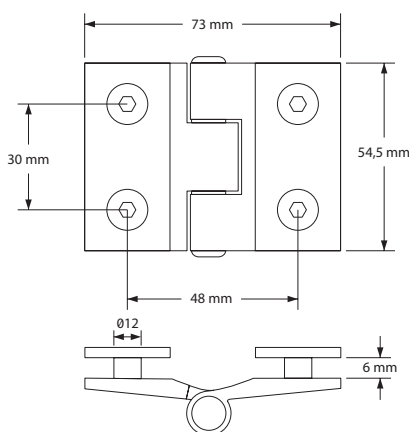
Material: Brass

1 hinge consists of:

- 1 hinge 54,5 x 73 mm
- 4 transparent cushions 1 mm thickness
- 4 transparent tubes $\varnothing 12$ mm
- 1 L-shaped hex key 4 mm

Finish:

Chrome plated # 15.23.050



GLASS DOOR HINGE "ROME" GLASS TO GLASS 180°

Application:

Suitable for glass door
Drilling/cutting required

Opening: 180°

Glass thickness: 6 - 8 mm

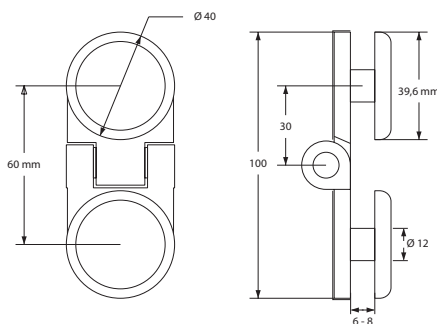
Material: Brass

1 hinge consists of:

- 1 hinge 100 x 40 mm
- 4 transparent cushions 1 mm thickness
- 2 transparent tubes $\varnothing 12$ mm
- 1 L-shaped hex key 4 mm

Finish:

Chrome plated # 15.23.055



GLASS CLAMP "ROME" WALL TO GLASS 90°

Application:

Suitable for glass door
Drilling/cutting required

Angle: 90°

Glass thickness: 6 - 8 mm

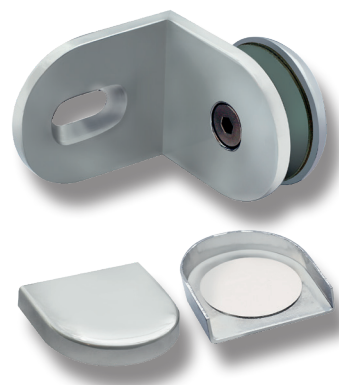
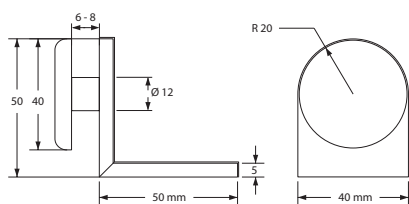
Material: Brass

1 clamp consists of:

- 1 clamp 50 x 50 mm
- 2 transparent cushions 1 mm thickness
- 1 transparent tubes $\varnothing 12$ mm
- 2 cover caps
- 1 L-shaped hex key 4 mm
- 1 wall plug
- 1 wall mounting screw

Finish:

Chrome plated # 15.23.770



GLASS DOOR HINGE "BOSCH" GLASS/GLASS

Model "BOSCH"

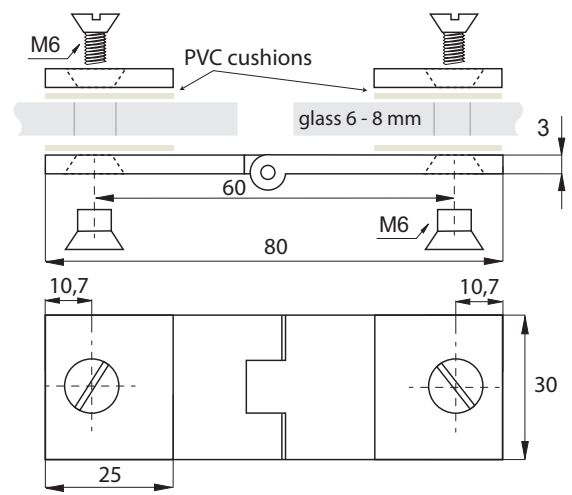
Material
3 mm brass

Hinge size: 30 x 80 mm (H/W)

Function
Inset or overlay doors

Glass thickness: 6 - 8 mm
Opening angle: 270°
Drilling: Ø11 mm

Finish
Chrome plated # 15.06.500



GLASS DOOR HINGE "BOSCH" WALL/GLASS

MODEL "BOSCH" F/WALL TO GLASS

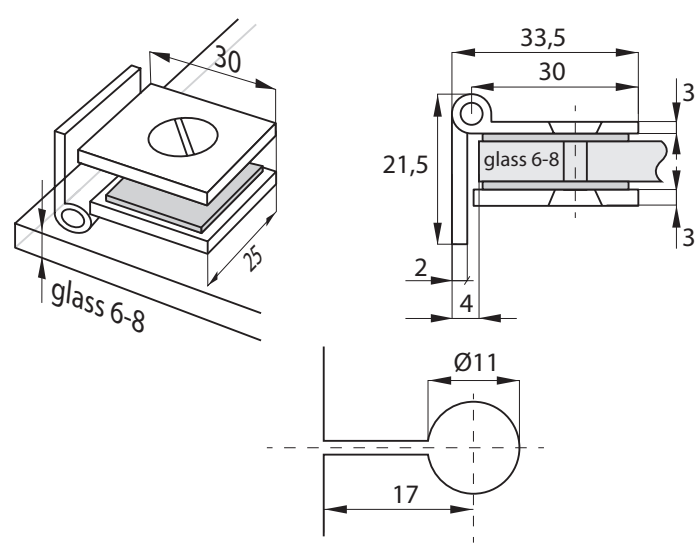
Material
Brass, Chrome plated

Size
Hinge: 25 x 30 mm (H/W)
Mounting plate: 25 x 12 mm (H/W)

Function
Inset doors

Glass thickness: 6 - 8 mm
Drilling: Ø11 mm

Finish
Chrome plated # 15.06.520



GLASS DOOR HINGE "ELEGANT"

- high quality furniture fittings

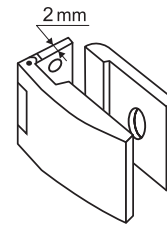
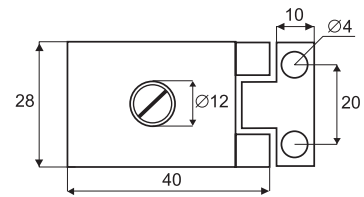
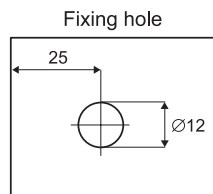
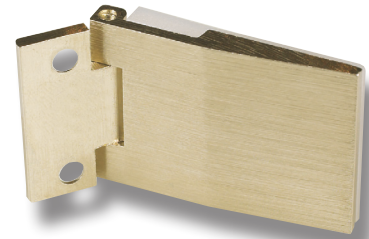
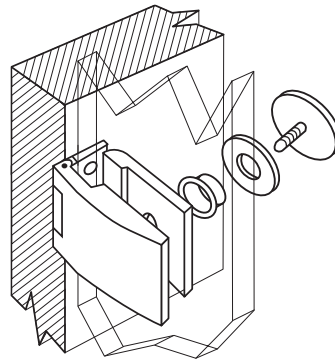


MODEL "ELEGANT"

Material
Natural brass

Finish
Brushed natural brass # 15.06.460
Brushed nickel # 15.06.461

Mounting
Inset doors: 6 mm thickness
Opening: 270°
Drill size: 12 mm



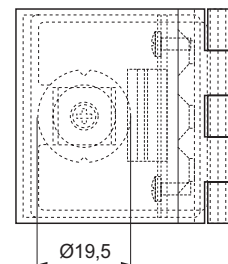
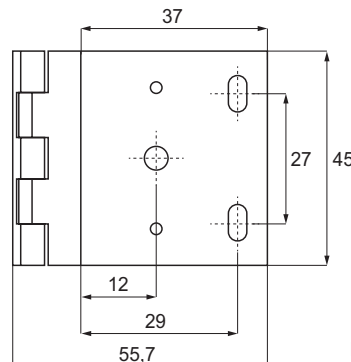
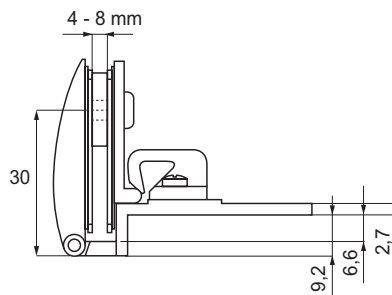
GLASS DOOR HINGE "JONES"

MODEL "JONES"

Material
Brass, Chrome plated

Overlay doors: 4-8 mm glass
Drill size: Ø19 mm
Opening: 170°
Max door weight: 15 kg per hinge

Item No. # 15.06.472



Recommended door hole min. Ø20 mm

GLASS DOOR HINGE "OBSESSION"

F/8-10 MM

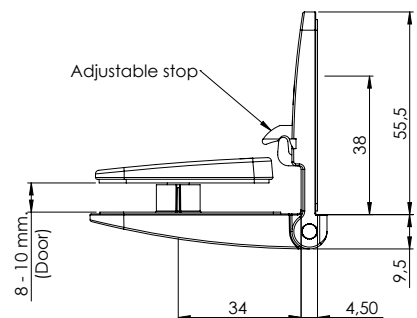
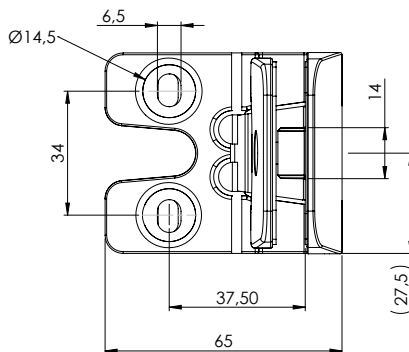
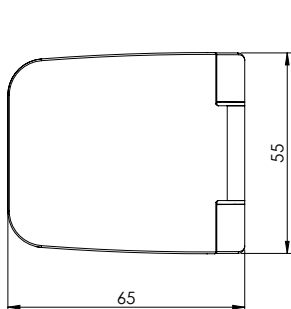
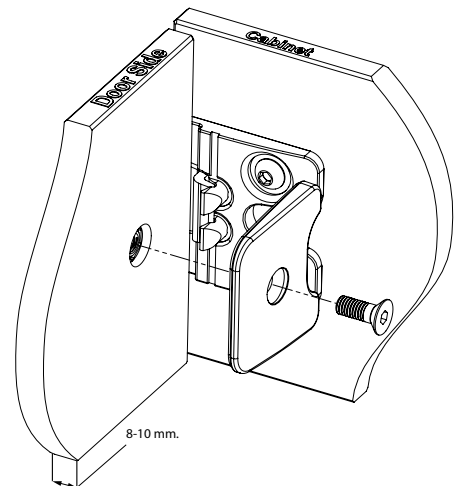
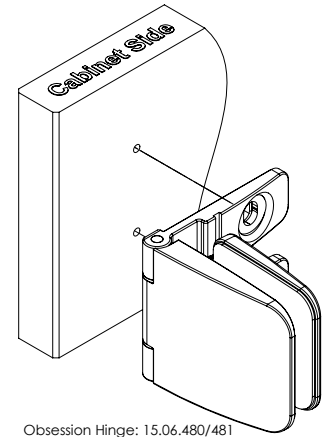
Application:
 Glass door hinge for inset doors.
 For wood/glass or glass/glass cabinets
 With adjustable catch function.
 Drilling required. 135 degrees opening
 Vertical height adjustment
 Material: Brass – chrome plated or black matt

Size: 65 x 55 x 55,5 mm
Glass thickness: 8 – 10 mm
Max door size: 650 x 2000 x 10 mm
Drilling: Ø 14 mm
Max load capacity: 16 kg per hinge

Item No.:
 Chrome plated # 15.06.480
 Black matt # 15.06.481



DESIGN REGISTERED



MOUNTING PLATE "SMART-FIX" F/"OBSESSION"

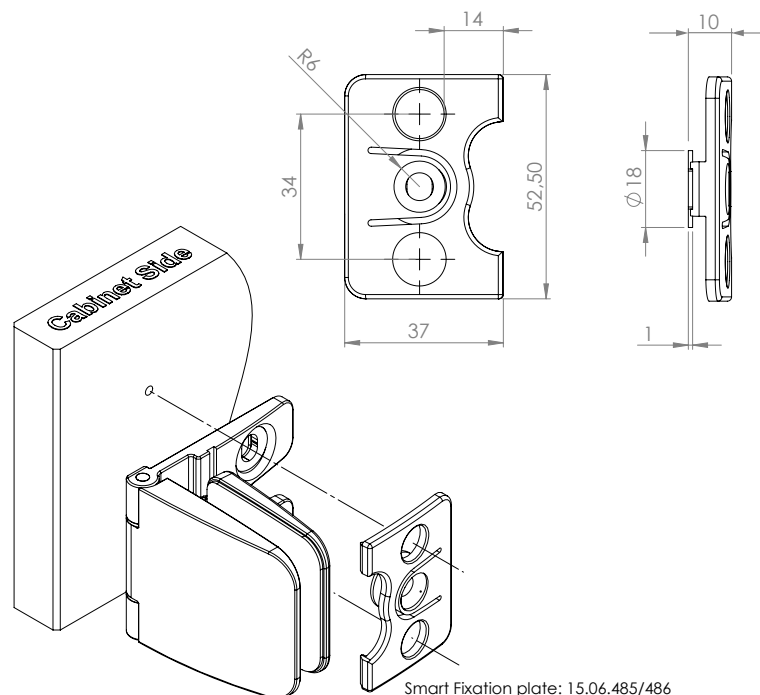
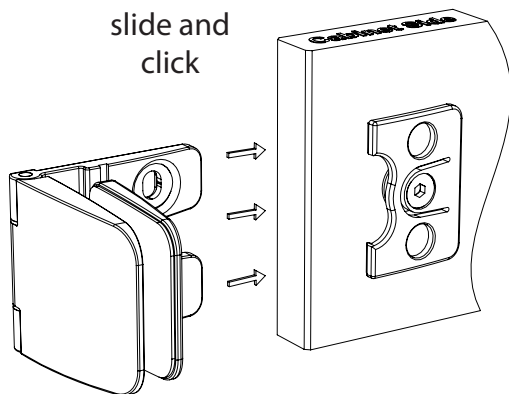
- high quality furniture fittings



Application:
Mounting plate for easy click fixing of the hinge

Material: Brass – chrome plated or black matt
Size: 37 x 52,5 x 10 mm

Item No.:
Chrome plated # 15.06.485
Black matt # 15.06.486



Obsession Hinge: 15.06.480/481

Smart Fixation plate: 15.06.485/486

FRONT COVER F/GLASS WALL FIXING F/"OBSESSION"

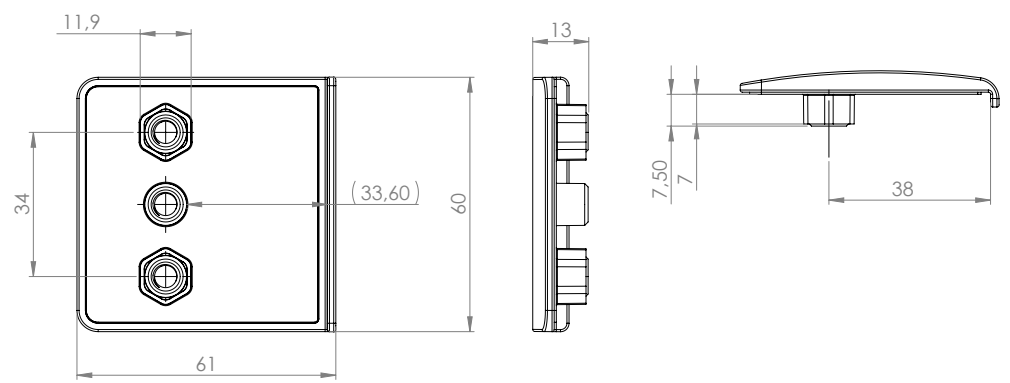
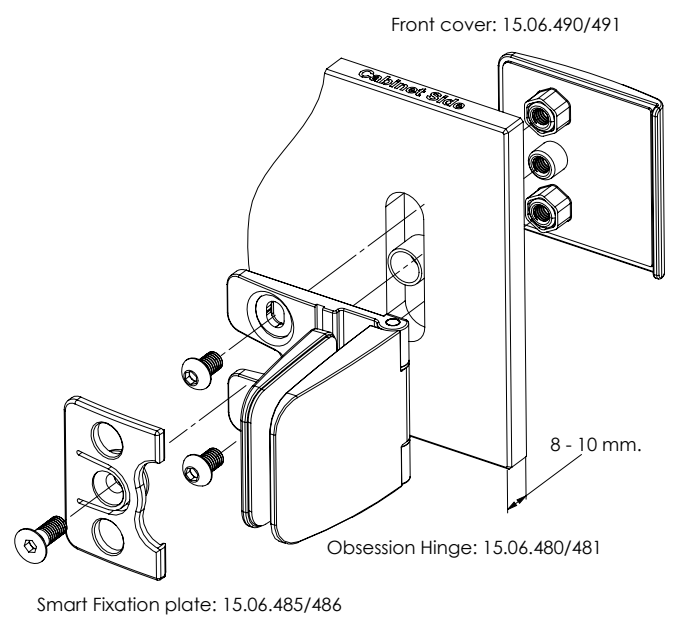
Application:
Front cover for glass/glass cabinets

Material: Brass – chrome plated or black matt

Size: 61 x 60 x 13 mm

Item No.:
 Chrome plated # 15.06.490
 Black matt # 15.06.491

Incl. 1 x CSK Screw M6x14mm,
 2 x Pan Head Screws M6 x 10 mm,
 1 x POM Tube ø12x8mm &
 1 x POM Tube ø12 x 10mm



CABINET DOOR HINGE "BONSAI" FOR 12MM PANELS

- high quality furniture fittings



Application:
For inset doors
For wood/glass or wood/wood (HPL) cabinets
Drilling/cutting required
92 or 182 degrees opening

Material: Brass
Size: 42 x 20 x 31 mm
Cabinet panel thickness: 12 mm

Door thickness: 4 - 6 mm
Max door size: 600 x 2000 x 6 mm
Max load capacity: 5 kg per hinge

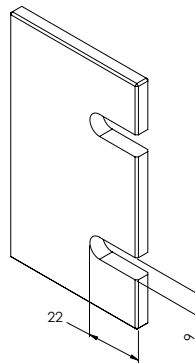
Item No.:
Chrome plated # 15.06.530
Black matt # 15.06.531
Brass polished # 15.06.532



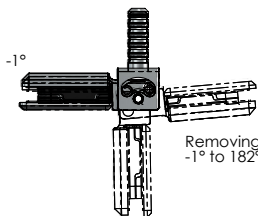
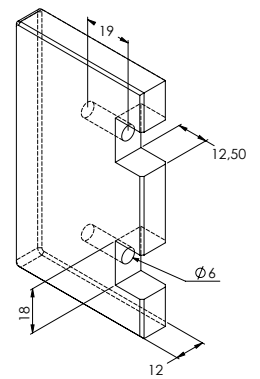
PATENTED



Door processing.

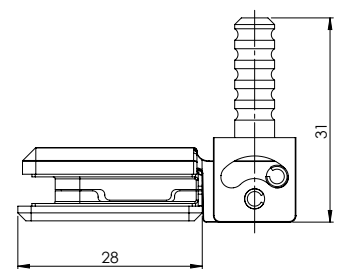
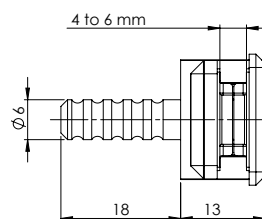
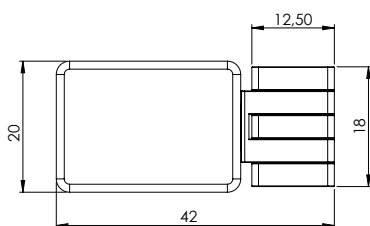
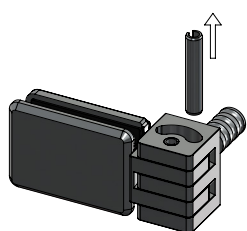
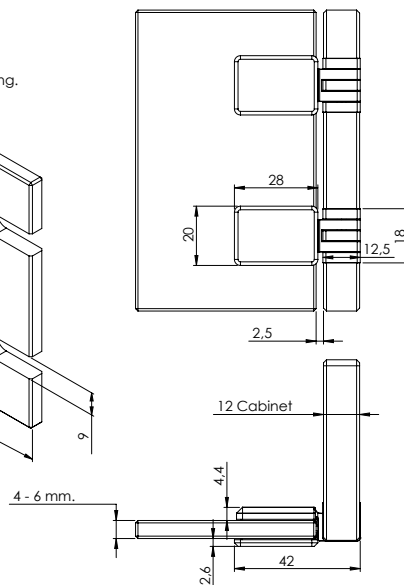


Cabinet processing.



Removing the split enables a -1° to 182° opening

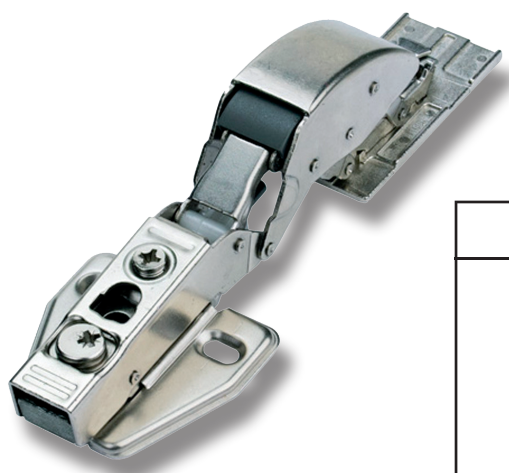
Standard opening angle: -1° to 92°



SOFT CLOSE MIRROR HINGE - FOR UV-GLUE

Features
 Opening angle: 125°
 F/UV-glue
 Clip-On
 F/3 - 6 mm glass
 W/Soft close pump
 Universal. Can be used for both inset, half-overlay & overlay doors

Finish
 Nickel plated
Item No. # 15.03.750



Space needed to open the door

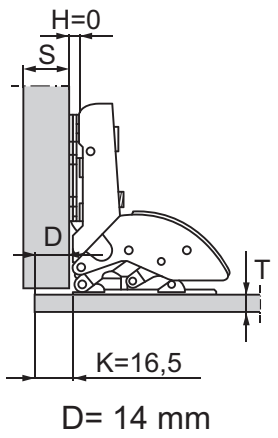
A min

A \ T	3	4	5	6
1,5	13,6	14,4	15,2	16,1
3,0	11,2	12,1	12,9	13,8
4,5	8,9	9,8	10,7	11,6
6	6,8	7,7	8,6	9,5
7,5	4,2	5,0	5,8	6,6
8	2,8	3,8	4,8	5,8
-	-	-	-	-
16,5	0	0	0,3	0,8

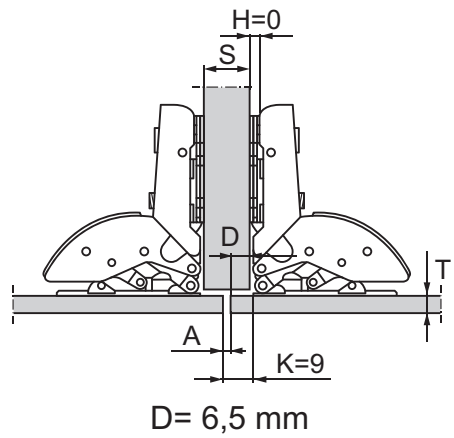
L min

L \ T	3	4	5	6
1,5	0	0	0	0
3,0	0	0	0	0
3,5	0	0	0	0
-	-	-	-	-
16,5	0	0	0	0

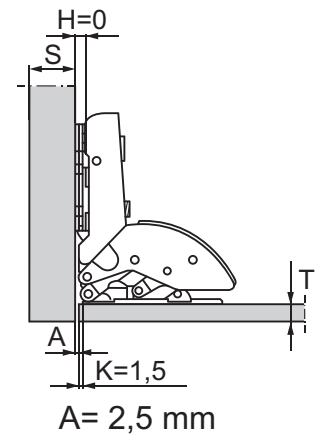
Full overlay (A)



Half overlay (B)



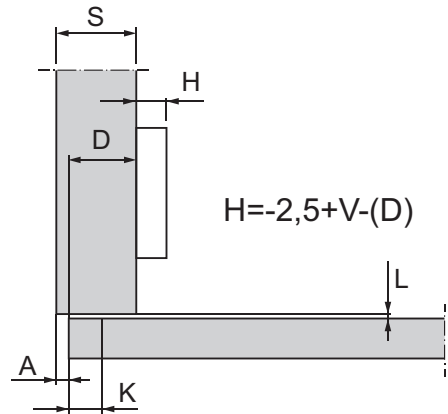
Inset (C)



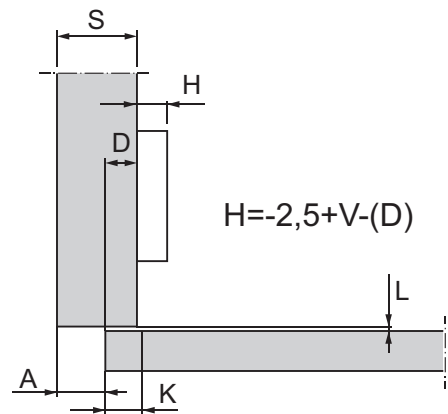
SOFT CLOSE MIRROR HINGE - FOR UV-GLUE

- high quality furniture fittings

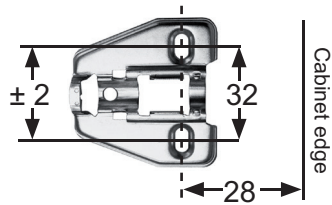
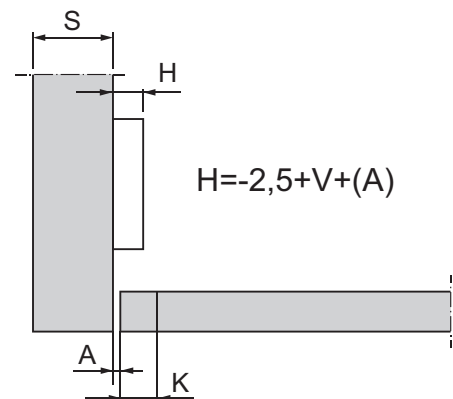
Full overlay (A) - Item No.: # 15.03.750



Half overlay (B) - Item No.: # 15.03.750

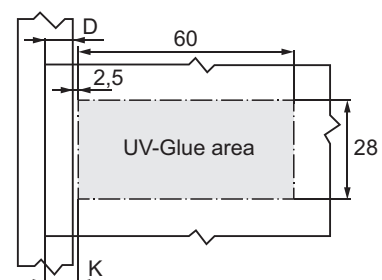
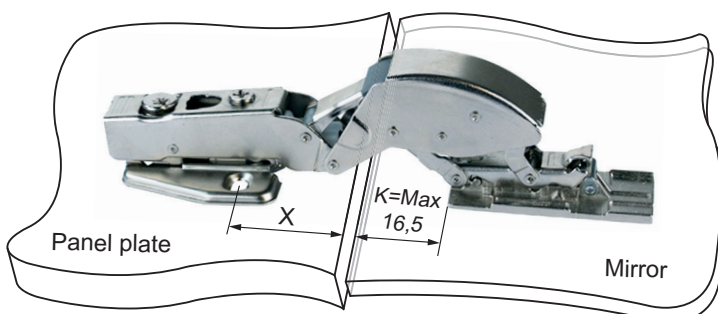


Inset (C) - Item No.: # 15.03.750



H = 0
f/chipboard
screws
Clip-on

Delivered as standard mounting plate with all hinges. Chipboard screws to be ordered separately.



LIFT-OFF BUTT HINGE SS304 FOR UV-GLUE

Mounting: By UV-glue B 682-0 from Bohle.
UV-lamp is needed

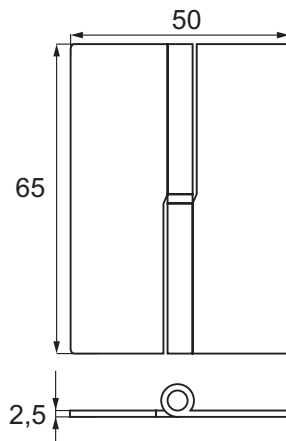
Material: 2,5 mm stainless steel 304 - polished

Hinge size: 65 X 50 mm (H/W)

Function: Inset doors
Max door width 500 mm
Load capacity: 7,5 KG per pair
Opening angle 270°
Glass thickness: 4-8 mm

Right hand: # 15.13.590

Left hand: # 15.13.600



Right hand

BUTT HINGE SS304 FOR UV-GLUE

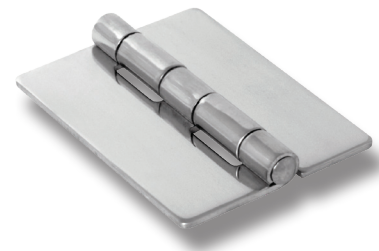
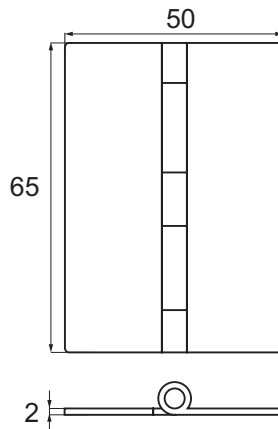
Mounting: By UV-glue B 682-0 from Bohle.
UV-lamp is needed

Material: 2 mm stainless steel 304 - polished

Hinge size: 65 x 50 mm (H/W)

Function: Inset doors
Max door width 500 mm
Load capacity: 7,5 KG per pair
Opening angle 270°
Glass thickness: 4-8 mm

Item No: # 15.13.105



GLASS DOOR HINGE BRASS FOR UV-GLUE

Mounting:
By UV-glue B 682-0 from Bohle
UV-lamp is needed

Material: 2,9 mm Brass - Chrome Plated
Hinge size: 60 x 60 mm (H/W)

Function: Inset doors
Max door width 500 mm

Load Capacity: 7,5 Kg per pair

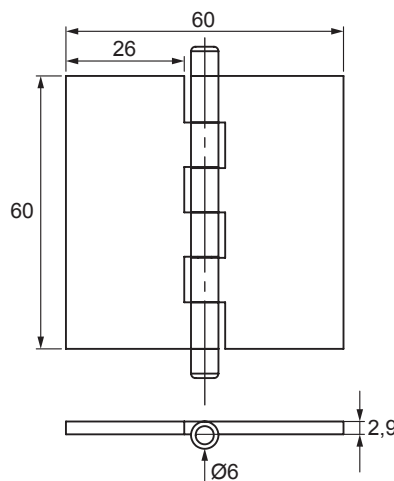
Opening: 270°

Glass thickness: 4-8 mm

Finish:

Chrome Plated (CPL) # 15.13.110

SS-Look (nickel brushed) # 15.13.111



PIVOT HINGE FOR UV GLUE, SS-304

- high quality furniture fittings

Description:

Pivot hinge for UV-glue, max 12 mm glass thickness, max load cap. 10 kg per pair.

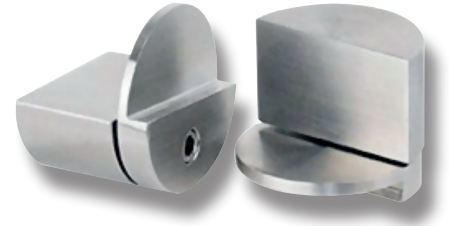
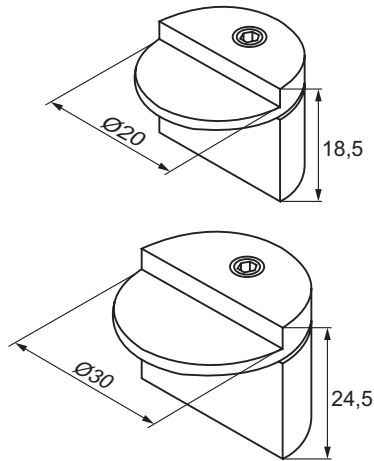
A threaded pin in the hinge allows the door to be removed after gluing.

Finish:

Brushed SS-304

Item No:

Pivot Hinge \varnothing 20 mm # 15.06.015
Pivot Hinge \varnothing 30 mm # 15.06.016



PIVOT HINGE FOR UV GLUE, SS-304

Description:

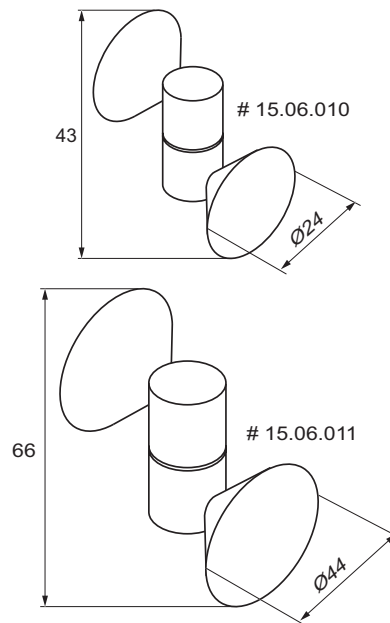
Pivot hinge for UV-glue, 6-10 mm glass thickness, 180°, max load cap. 5 kg per hinge.

For the door a lateral overhang of at least 28 mm must be considered on the cabinet.

Finish: Brushed SS-304

Item No:

Pivot Hinge \varnothing 24 mm # 15.06.010
Pivot Hinge \varnothing 44 mm # 15.06.011



MAGNETIC CATCH FOR UV GLUE, SS-304

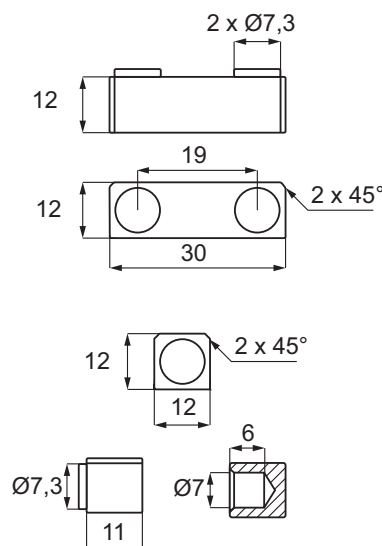
Description:

Magnetic catch for UV glue, magnetic locking-force 2 kg.

Finish: Brushed SS-304

Item No:

Magnetic catch 30x12x12 mm # 22.01.140-5
Magnetic catch 11x12x12 mm # 22.01.145



GLASS DOOR HINGE 11.300 - NO DRILLING

MODEL
No. 11.300 inset doors

Material: Steel
Chrome plated # 15.06.036
Alu finish # 15.06.038

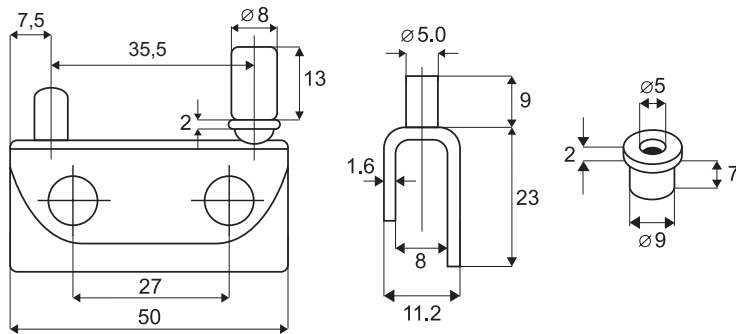
Mounting: Top + Bottom
Inset Doors, max 4-6 mm
Complete with nylon bushings

Front plate:
Size: 50 x 23 mm - polished

Packing: Each pair (Right + Left) is packed in a polybag complete with bushings & steel screws w/soft tip

Optional, to be ordered separately

BALL CATCH # 15.06.077
Material: Brass
Size: Ø 8 mm x 8 mm



GLASS DOOR HINGE 11.561 - NO DRILLING

MODEL
No. 11.561 inset doors

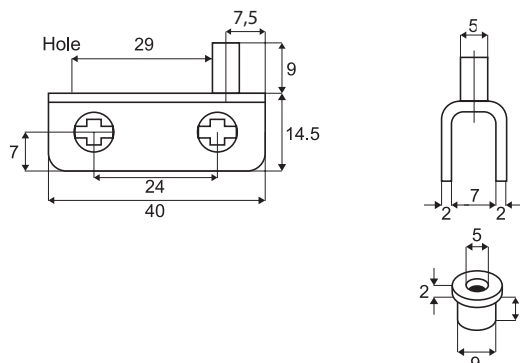
Material: Steel
Chrome plated # 15.06.096
Black anodized # 15.06.095
Alu finish # 15.06.098

Mounting: Top + Bottom
Inset Doors, max 5 mm.
Complete with nylon bushings, steel screws

Front plate:
Size: 40 x 14,5 mm

Optional, to be ordered separately

BALL CATCH # 15.06.077
Material: Brass
Size: Ø 8 mm x 8 mm



GLASS PIVOT HINGE "STAINLESS STEEL" -NO DRILLING

- high quality furniture fittings



MODEL "SMALL"

Mounting:

Inset doors. Complete with brass bushings & soft tip screws

Material:

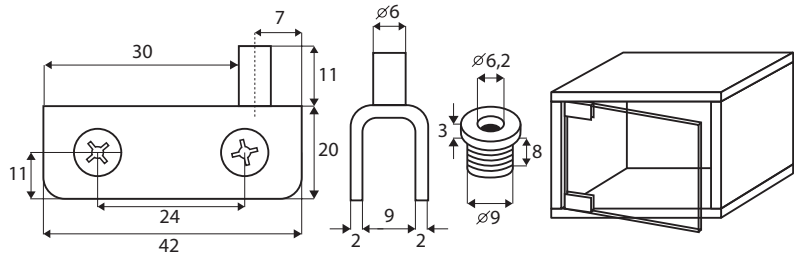
2 mm stainless steel, polished

Hinge size: 42 x 20 x 13 mm (W/H/D)

Bushing size: Ø9 x 8 mm

Glass thickness: 6 mm

Item No. # 15.06.060



MODEL "MEDIUM"

Mounting:

Inset doors. Complete with brass bushings & soft tip screws

Material:

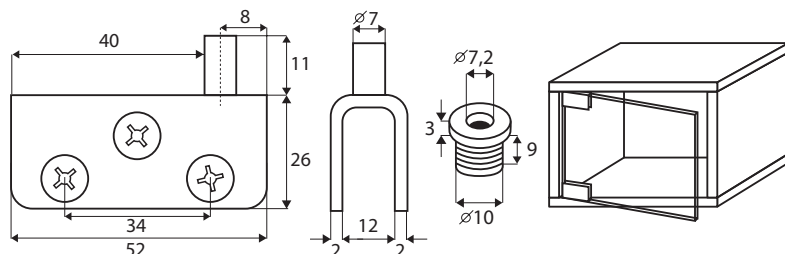
2 mm stainless steel, polished

Hinge size: 52 x 26 x 16 mm (W/H/D)

Bushing size: Ø10 x 9 mm

Glass thickness: 8 mm

Item No. # 15.06.062



MODEL "LARGE"

Mounting:

Inset doors. Complete with brass bushings & soft tip screws

Material:

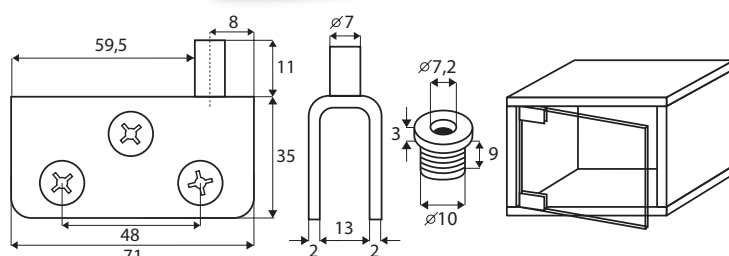
2 mm stainless steel, polished

Hinge size: 71 x 35 x 17 mm (W/H/D)

Bushing size: Ø10 x 9 mm

Glass thickness: 10 mm

Item No. # 15.06.064



GLASS PIVOT HINGE "BRASS" - NO DRILLING

Mounting: Inset doors. Complete with brass bushings & soft tip screws

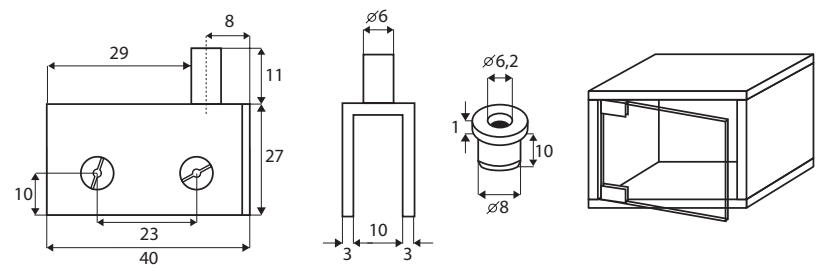
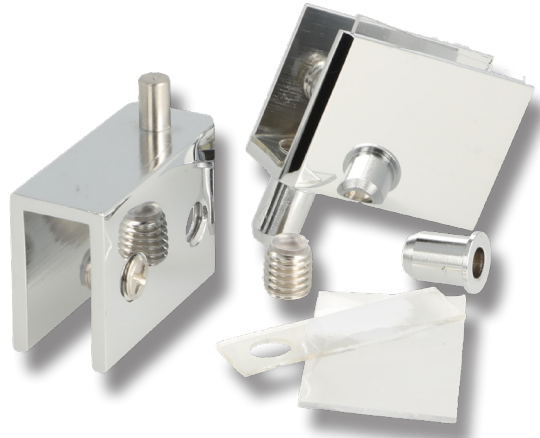
Material: 3 mm brass

Hinge size: 42 x 27 x 16 mm (W/H/D)

Bushing size: Ø 8 x 11 mm

Glass thickness: 4 - 8 mm

- Chrome plated # 15.06.070
- Alu finish # 15.06.071
- SS - Look # 15.06.072
- Black anodized # 15.06.074



GLASS DOOR HINGE A-11 - NO DRILLING

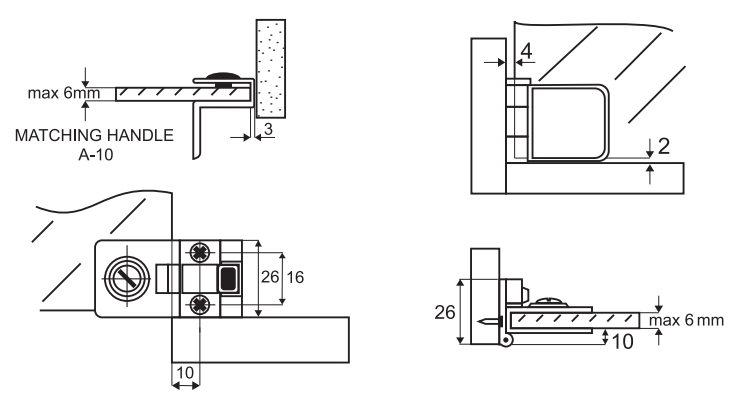
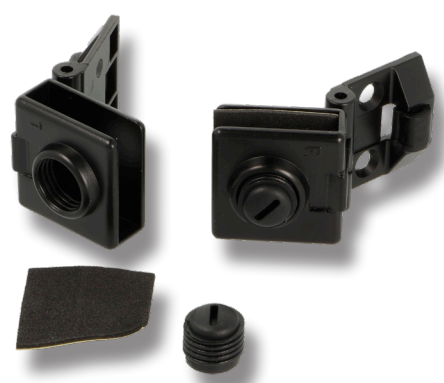
MODEL w/Catch
NO. A-11 inset doors

- Material:** Zamak
- Chrome plated # 15.06.126
 - Brass plated # 15.06.120
 - Black anodized # 15.06.127

Mounting:
Inset doors, max 5-6 mm
Side fixation

Front plate:
Size: 25 x 25 mm - framed & sparkled

Packing:
Each pair (Right + Left) incl. pads/cushions is packed in a polybag



GLASS DOOR HINGE D-13/2 - NO DRILLING

- high quality furniture fittings



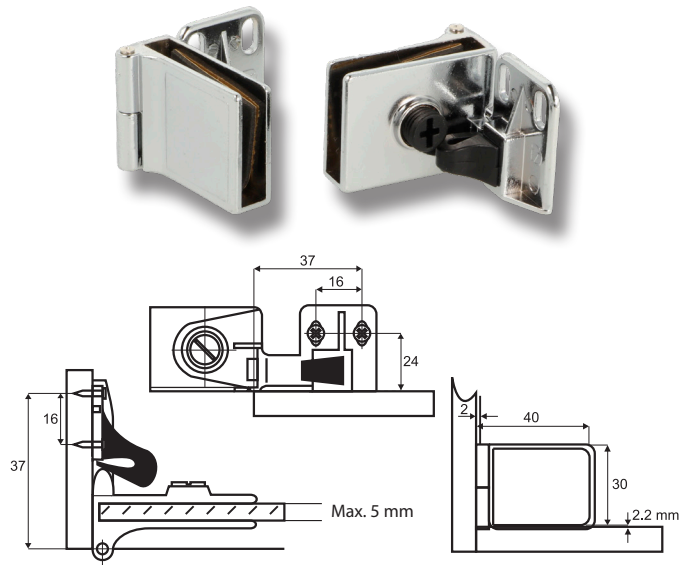
MODEL w/Catch NO. D 13/2 inset doors

Material: Zamak
 Chrome plated # 15.06.102
 Bronze plated # 15.06.103

Mounting:
 Inset doors, max 5 mm

Front plate:
 Size 40 x 30 mm
 sparkled

Packing:
 Each pair (right + left) incl. pads/cushions
 is packed in a polybag



GLASS DOOR HINGE D-16 - NO DRILLING

MODEL w/Catch D-16 OVERLAY DOORS

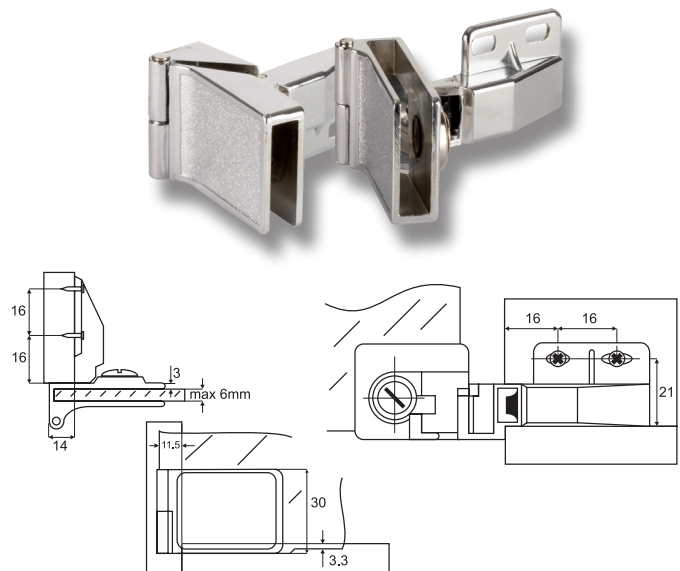
Material:
 Zamak

Finish
 Chrome plated # 15.06.415
 Brass plated # 15.06.410

Mounting:
 Overlay doors, max 6 mm

Front plate:
 Size: 40 x 30 mm, sparkled

Packing: Each pair (Right + Left)
 incl. pads/cushions is packed
 in a polybag



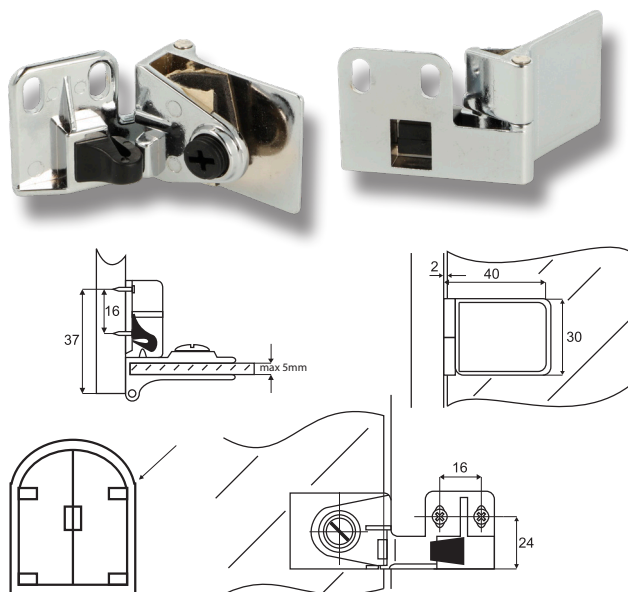
GLASS DOOR HINGE C-13 CENTER - NO DRILLING

MODEL w/Catch C-13 INSET DOORS

Material: Zamak L/R
 Chrome plated # 15.06.311/321
 Black anodized # 15.06.313/323

Mounting:
 Inset doors, max 5 mm
 Centre- or Top fixation for
 rounded doors

Front plate:
 Size: 40 x 30 mm -
 framed & sparkled



QUADRANT HINGES

Material:	Steel
Finish:	Nickel Plated (NPL), Brass Plated (BPL), Bronze Plated (BRZ)
Size:	30 x 33 mm
Screw Hole:	Ø 2 mm - (Incl. ø2x8mm Screws)
Item No.:	
NPL	# 30.00.000
BPL	# 30.00.001
BRZ	# 30.00.002



BUTT HINGES

Material:	Steel
Finish:	Nickel Plated (NPL), Brass Plated (BPL), Bronze Plated (BRZ)
Size:	16 x 37 mm
Screw Hole:	Ø 2 mm - (Incl. ø2x8mm Screws)
Item No.:	
NPL	# 30.00.015
BPL	# 30.00.016
BRZ	# 30.00.017



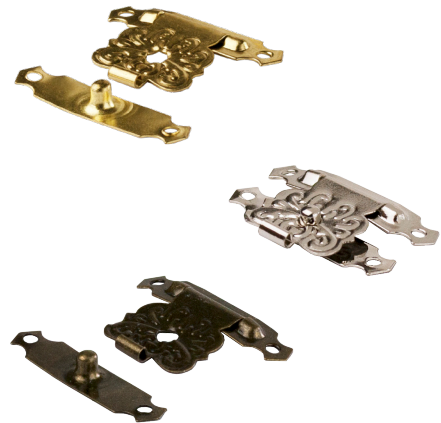
MINI BRASS CYLINDER HINGES

Material:	Brass
Finish:	Nickel Plated (NPL), Brass Plated (BPL), Bronze Plated (BRZ)
Size:	Ø3,5 x 38 mm
Item No.:	
NPL	# 30.00.025
BPL	# 30.00.026
BRZ	# 30.00.027
Size:	Ø5 x 15 mm
Item No.:	
NPL	# 30.00.030
BPL	# 30.00.031
BRZ	# 30.00.032
Size:	Ø5 x 25 mm
Item No.:	
NPL	# 30.00.035
BPL	# 30.00.036
BRZ	# 30.00.037



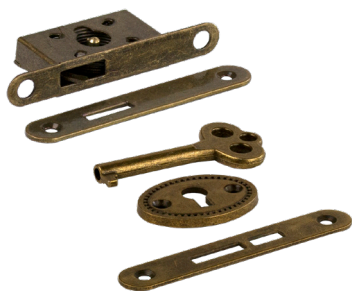
CLASPS

Material:	Steel
Finish:	Nickel Plated (NPL), Brass Plated (BPL), Bronze Plated (BRZ)
Size:	22 x 31 mm
Screw Hole:	Ø 2 mm - (Incl. ø2x8mm Screws)
Item No.:	
NPL	# 30.00.050
BPL	# 30.00.051
BRZ	# 30.00.052



BOX LOCKS

Material:	Steel
Finish:	Nickel Plated (NPL), Brass Plated (BPL), Bronze Plated (BRZ)
Size:	31 x 29 x 8 mm
Incl:	1 key, 1 Escutcheon, 2 Striking Pl. (Top & Bottom)
Item No.:	
NPL	# 30.00.055
BPL	# 30.00.056
BRZ	# 30.00.057



MAGNETS

Material:	NdFeB Magnetic
Finish:	Bright Zinck Plated (BZP)
Size:	Ø4 x 3 mm
Item No.:	# 30.00.070

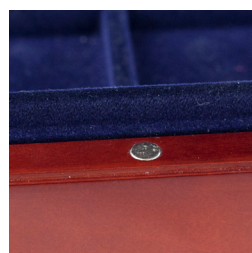
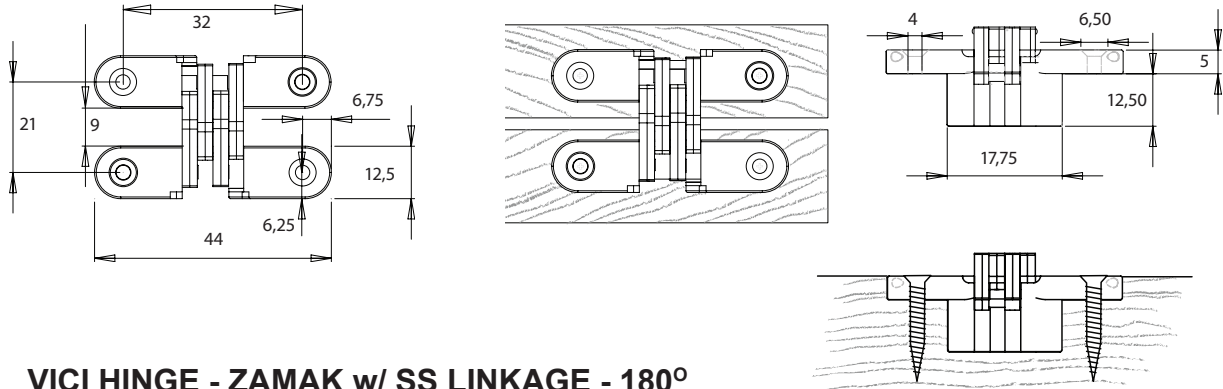
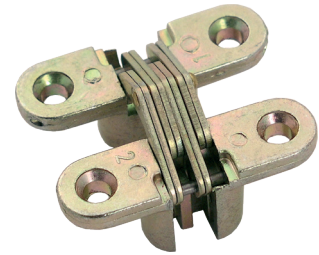


TABLE HINGES

VICI HINGE - ZAMAK w/ STEEL LINKAGE - 180°

Material	Body:	Zamak
	Linkage:	Steel
Finish:	Yellow Zinc Plated (YZP)	
Size:	44 x 12,5 mm	
Screw Hole:	Ø 4 mm - c/c 32 mm	
Item No.:	# 15.07.115	

Other sizes and finishes on request



VICI HINGE - ZAMAK w/ SS LINKAGE - 180°

Material	Body:	Zamak
	Linkage:	Stainless Steel (SS)
Finish:	Body:	Stainless Steel look- Brushed
	Linkage:	Plain

*All measurements in mm

Incl. 4 CSK chip board screws

A	B	C	D	E	F	G	H	I	J	K	Item No.
45 mm	13	20,5	31,6	8	6,7	18,8	12	5	6,6	4	15.07.120
60 mm	13	21,5	47,2	9	6,5	32	12	6	7,7	5	15.07.121
70 mm	16	26,5	54	10,5	8	34	15,5	7	8	5	15.07.122
95 mm	19	32	75	13	10	52	17	10	10	6	15.07.123
* 118 mm	27	50	89	23	14,5	65	28	12	11,5	6,5	15.07.124
* 139 mm	34,5	44,8/79,6	104/ 114	27,5	17,5/ 12,55	75	37	12	11,5	6,5	15.07.125

* For heavy duty doors

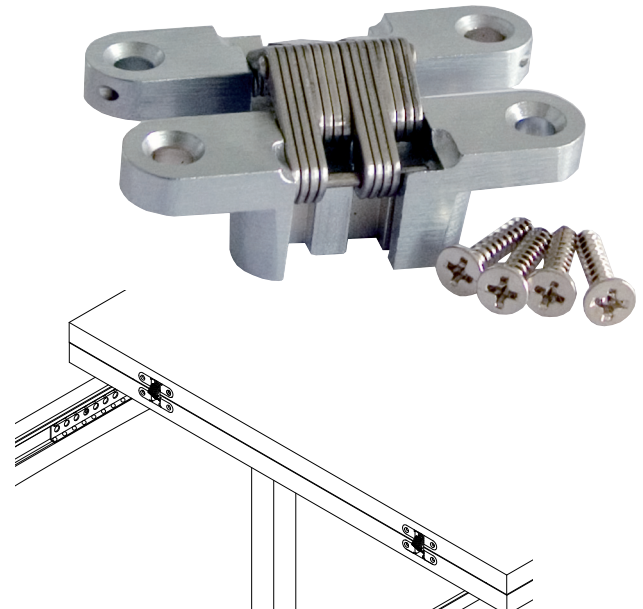
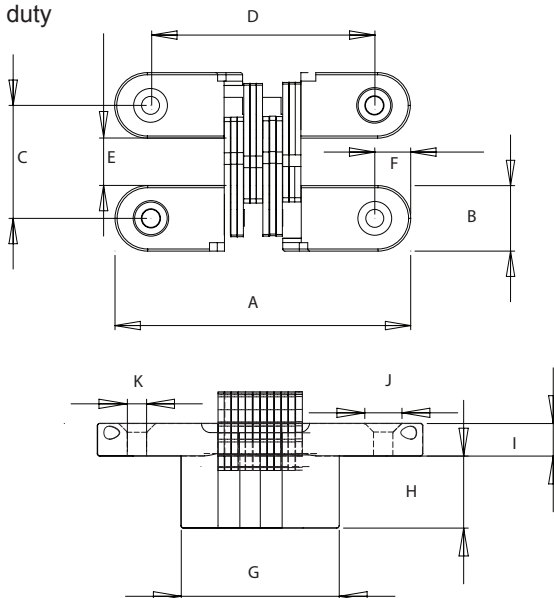


TABLE HINGES

- high quality furniture fittings



VICI HINGE - ZAMAK w/ STEEL LINKAGE - 180°

Material: Zamak
 Body: Zamak
 Linkage: Steel
 Finish: SS- brushed
 Size: 25 x 9 mm
 Screw Hole: Ø 4 mm - c/c 16 mm
 Item No.: # 15.07.118

Other sizes and finishes on request

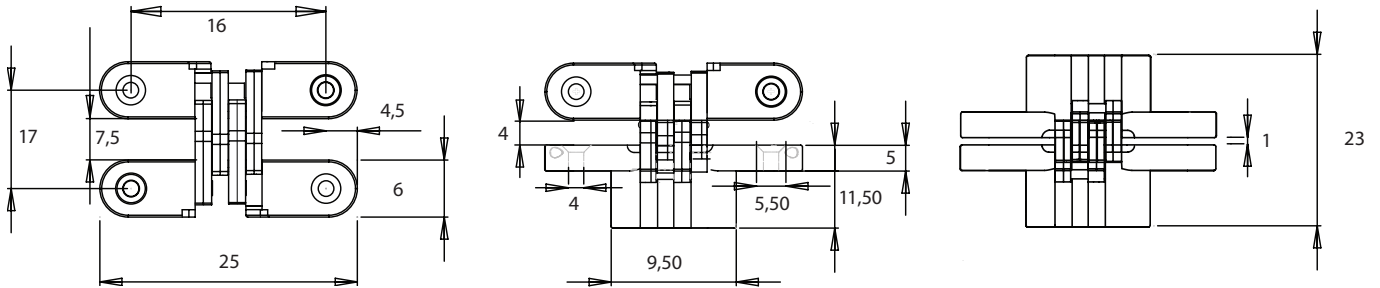
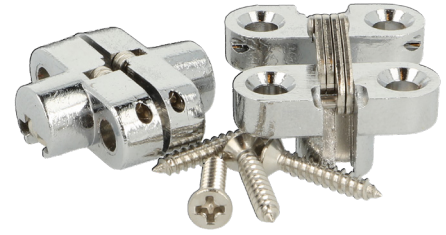
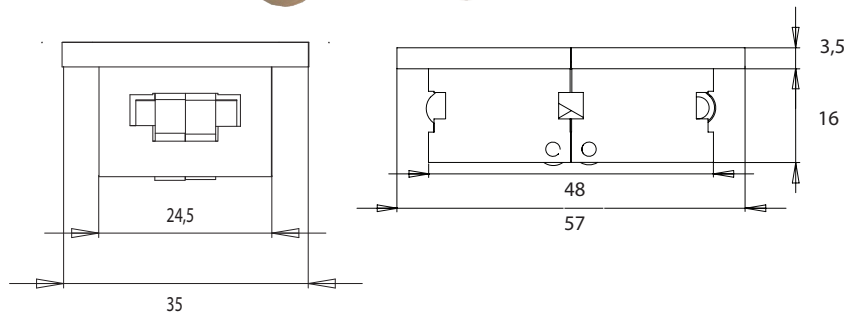
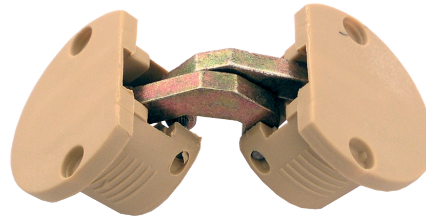


TABLE FLAP HINGE - f/ 22 mm PANEL - 180°

Material: Nylon
 Body: Nylon
 Linkage: Zamak
 Bore Size: Ø 35 mm and ø 25 mm
 Hole Depth: 19 mm

Finish

Body:	Linkage:	Item No.
Beige	Yellow Zinc	# 15.80.200
Black	Black Zinc	# 15.80.201



SEPA HINGE 180°

Material: Zamak
 Panel thickness: Min. 26 mm
 Size: 52 x 18 x 2 mm
 Item No.: # 15.04.076

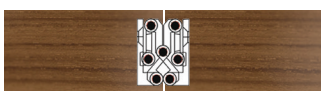
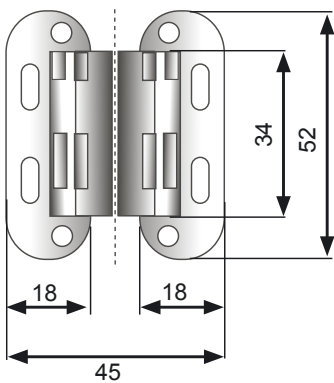
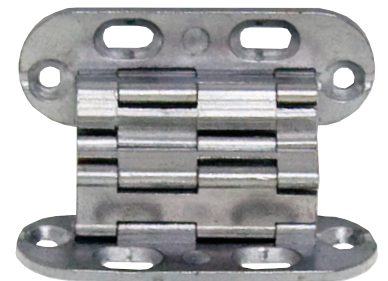
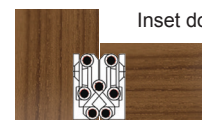
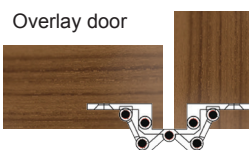


Table leaves

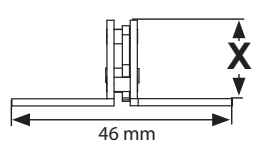
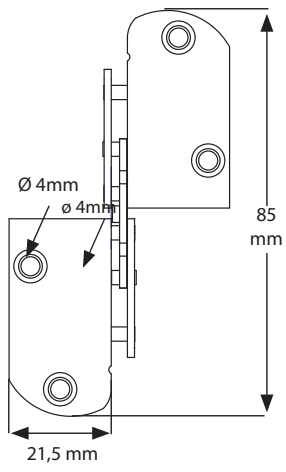


Inset door



TABLE HINGES

ELU TABLE HINGE 180°



Material: Steel, Yellow Zinc Plated (YZP)
 Over all Size: 85 mm x 46 mm

Panel Size X	Item No.	Panel Size X	Item No.
16 mm	# 15.80.110	23 mm	# 15.80.145
18 mm	# 15.80.120	25 mm	# 15.80.155
19 mm	# 15.80.125	30 mm	# 15.80.170
20 mm	# 15.80.130	32 mm	# 15.80.025 (BPL)
22 mm	# 15.80.140		

Spacer For Panel Thickness Reduction = SFPTR*

SFPTR*	Item No.	SFPTR*	Item No.
1 mm	# 15.80.000	2 mm	# 15.80.001

The Spacer gives you the possibility to operate with only one hinge size even though you use different panel thicknesses in your production.

Example: Take a Hinge for 18 mm panel thicknesses and add a 2 mm spacer. Now you can use the hinge for 16 mm panel thickness.

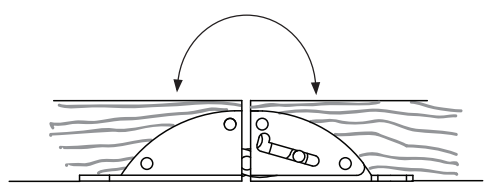
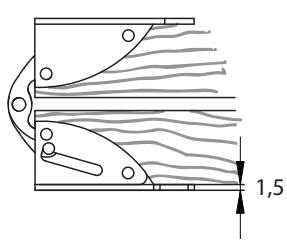
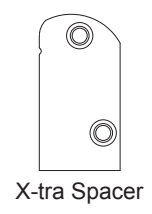


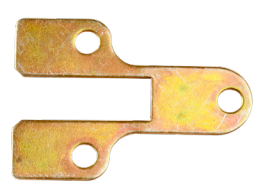
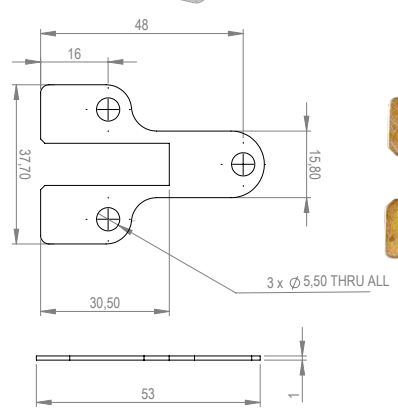
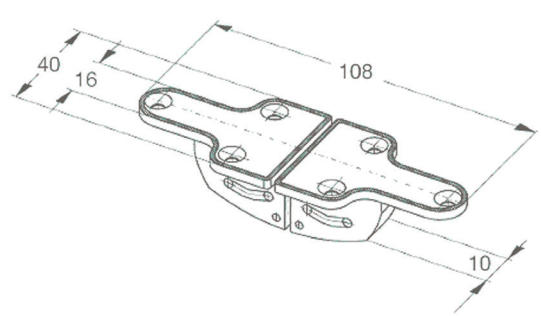
TABLE FLAP HINGE "ZAMAK"

Material: Body: Zamak, Yellow Zinc Plated
 Linkage: Steel, Yellow Zinc Plated

Over all size: 108 x 40 x 3 mm

Panel size: 20 mm # 15.80.175
 Panel size: 27 mm # 15.80.180

Spacer For Panel Thickness Reduction
 1 mm Steel, Yellow Zinc Plated # 15.80.185

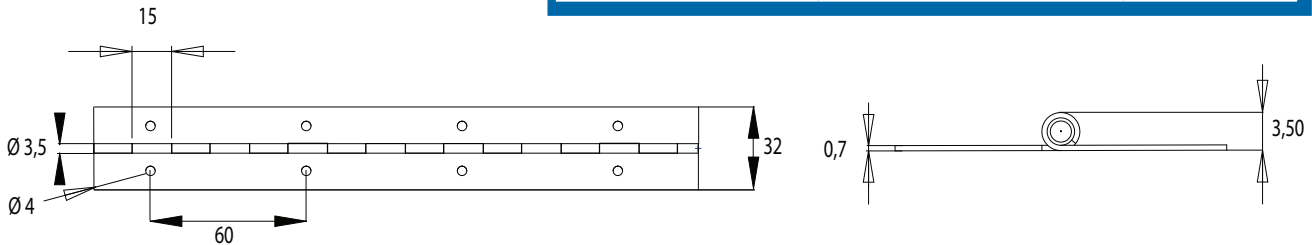


PIANO HINGE



Material: Steel
Screw hole: Ø4 mm - c/c 60 mm

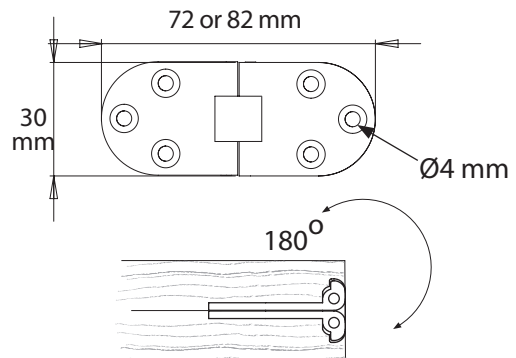
Size	Finish	Item No.
32 x 0,7 x 1830 mm	Brass Plated Lacquered	# 15.12.076
32 x 0,7 x 1830 mm	Nickel Plated	# 15.12.075



SEWING MACHINE TABLE HINGE

Material: Brass
Screw Holes: Ø 4 mm

Sizes	Finish	Item. No
30 x 72 x 2.0 mm	Brass Sanded	# 15.11.350
30 x 72 x 2.0 mm	SS-Look	# 15.11.355
30 x 72 x 2.0 mm	Bronzed	# 15.11.370
30 x 80 x 2.0 mm	Brass Sanded	# 15.11.310



OVAL HINGE "NYLON" W/STEEL LINKAGE

Material: Body: Nylon, Brown
Linkage: Steel
Finish: Yellow Zinc Plated (YZP)
Size: 12 x 31 x 16 mm
Screw Hole: Ø5 mm

Item No.: # 15.07.160

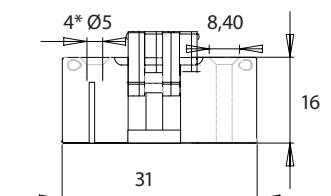
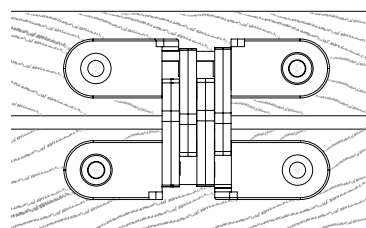
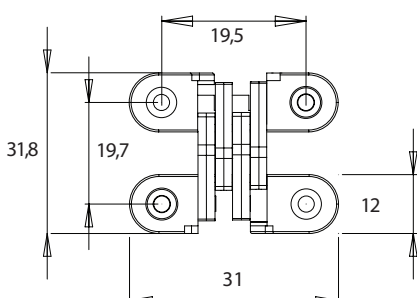


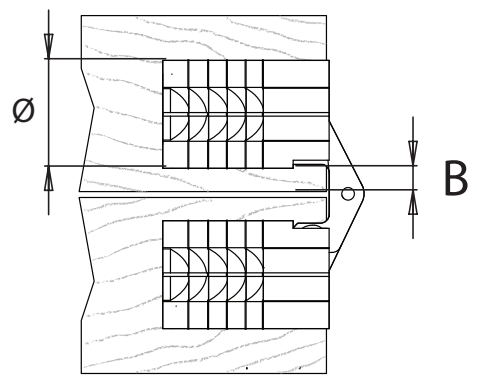
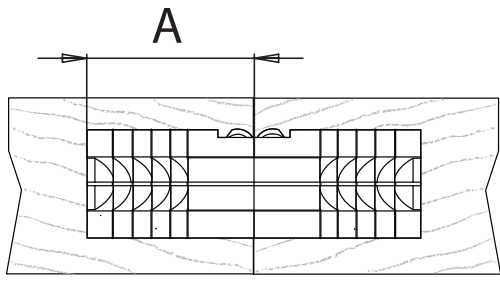
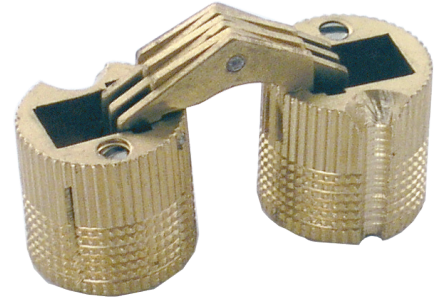
TABLE HINGES & BUTLER'S TRAY HINGES

BRASS CYLINDER HINGE w/ SS PIN & SCREWS

Material:	Body and Linkage:	Brass
	Pin and Screws:	Stainless Steel (SS)
Finish:	Brass Natural	

Sizes	Item No	A*	B*
Ø 10 mm	# 15.07.345	11,0 mm	2,0 mm
Ø 12 mm	# 15.07.346	13,5 mm	2,2 mm
Ø 14 mm	# 15.07.347	15,5 mm	3,0 mm
Ø 16 mm	# 15.07.348	16,5 mm	3,0 mm
Ø 18 mm	# 15.07.349	17,5 mm	3,0 mm
Ø 24 mm	# 15.07.350	25,0 mm	4,5 mm

* See illustration A and B for measurement

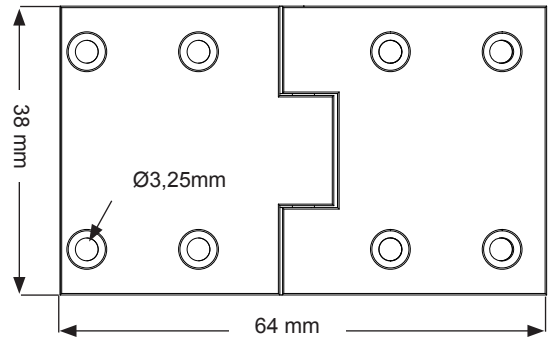
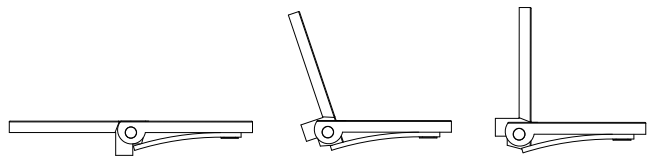
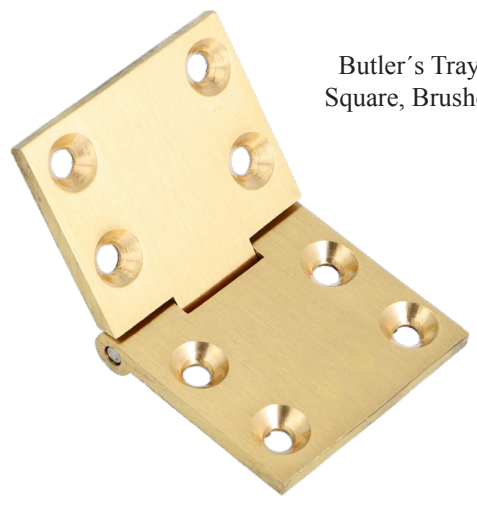


BUTLER'S TRAY HINGE SQUARE W/STEEL SPRING

Material:	Brass		
Screw holes:	Ø3,25		

Type:	Size	Finish	Item No.
Square	38 x 64 x 3 mm	Brushed	# 15.11.160

Butler's Tray hinge, Square, Brushed Brass



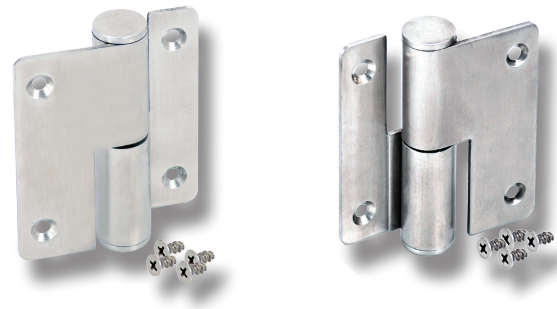
LIFT DOOR HINGE F/OVERLAY DOORS

Stainless steel 304, brushed.
Self closing. By up/down function.
Outwards opening.
Inclusive screws for panel mounting.
Left or right hand.

Size: 90 x 75 x 2,5 mm

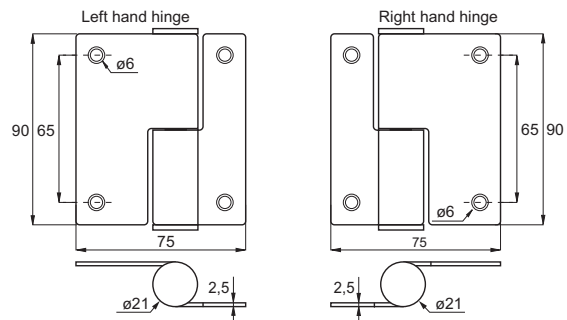
Item No.:

Right Hand # 22.23.160
Left Hand # 22.23.161



Left hand

Right hand



LIFT DOOR HINGE F/INSET DOORS

Stainless steel 304, brushed.
Self closing. By up/down function.
Out or inwards opening.
Inclusive screws for panel mounting.
Left or right hand.

Size: 94 x 67 x 2,5 mm

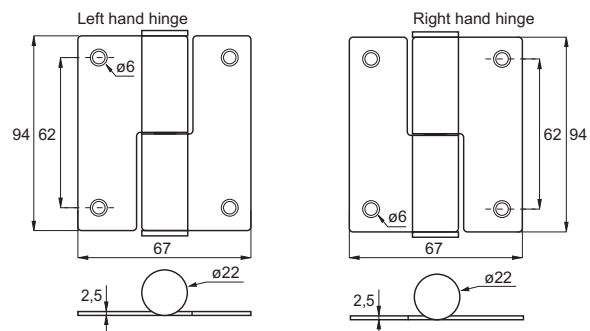
Item No.:

Right Hand # 22.23.163
Left Hand # 22.23.164



Left hand

Right hand



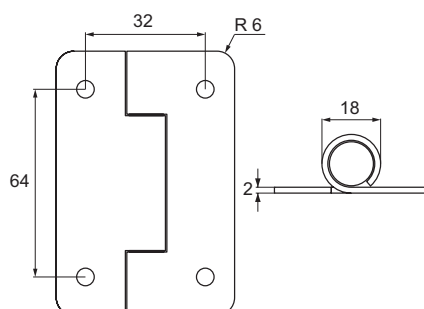
SPRING DOOR HINGES F/INSET DOORS

Stainless steel 304, brushed.
Inwards opening.
Self closing by spring function
Inclusive screws for panel mounting. Uni-
versal.

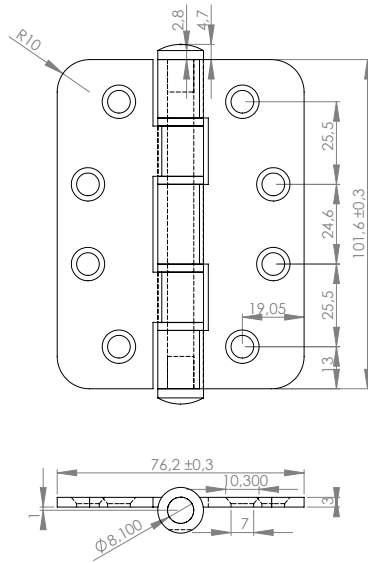
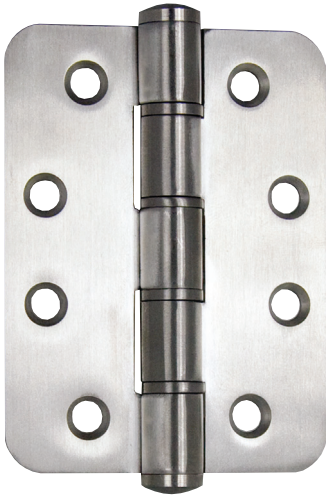
Size: 90 x 52 x 2 mm

Item No.:

22.23.165



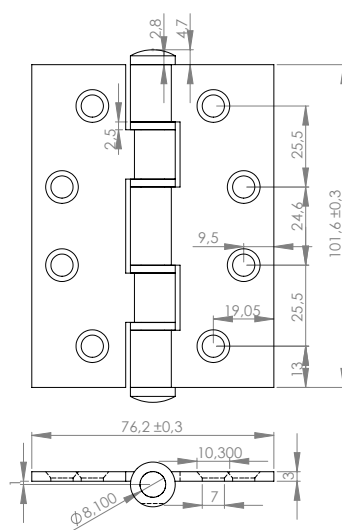
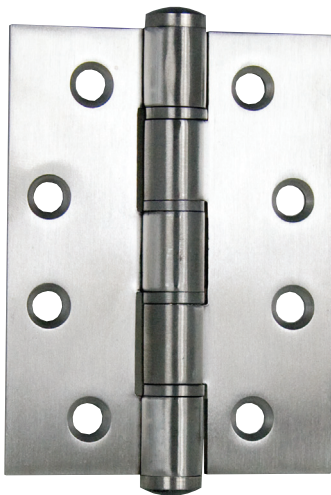
DOOR HINGES SS-304 (HEAVY DUTY)



MODEL "ROUND"

Material: Stainless Steel 304
 Size: 102 x 76 x 3 mm
 Screw hole: Ø7 mm
 w/4 ss-washers

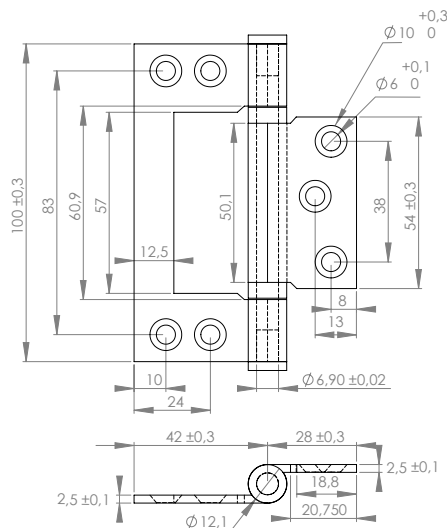
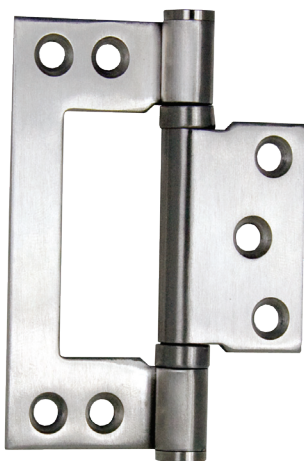
Item No. # 15.20.116



MODEL "SQUARE"

Material: Stainless Steel 304
 Size: 102 x 76 x 3 mm
 Screw hole: Ø7 mm
 w/4 ss-washers

Item No. # 15.20.115

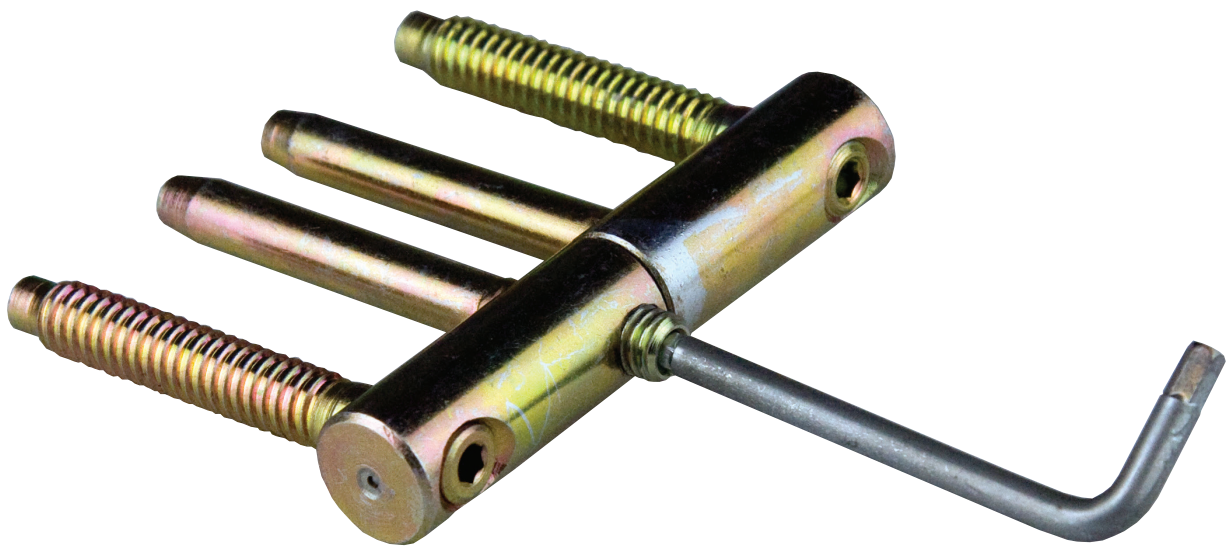


MODEL "FLUSH"

Material: Stainless Steel 304
 Size: 100 x 70 x 2,5 mm
 Screw hole: Ø7 mm
 w/2 ss-ball bearing washers

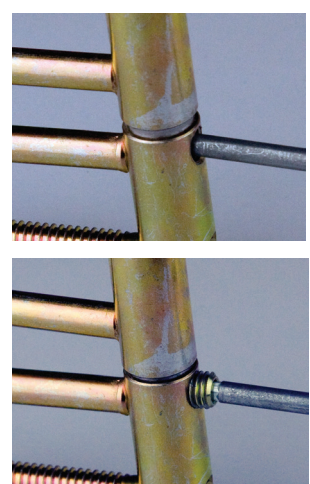
Item No. # 15.20.100

PIN DOOR HINGE (HEAVY DUTY)

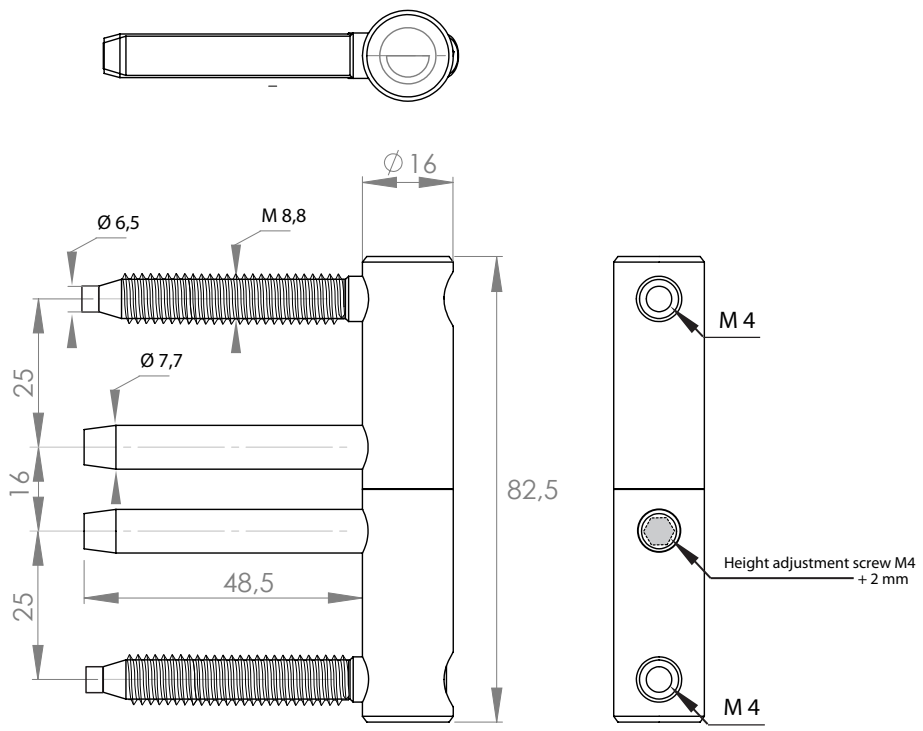


Hex key to be ordered separately

Application:	For heavy duty doors w/height adjustment function.
Size:	Ø16 x 82,5 mm (25-16-25 mm)
Material:	Steel
Finish:	Yellow Zinc Plated (YZP)
Item No.	# 15.08.000

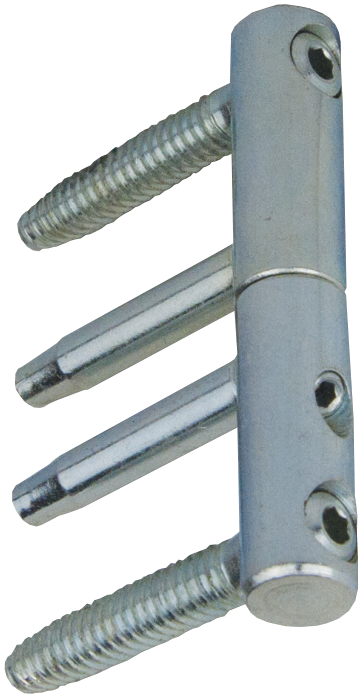


2 mm height adjustment



PIN DOOR HINGE (HEAVY DUTY)

- high quality furniture fittings



Application: For heavy duty doors w/height adjustment function.

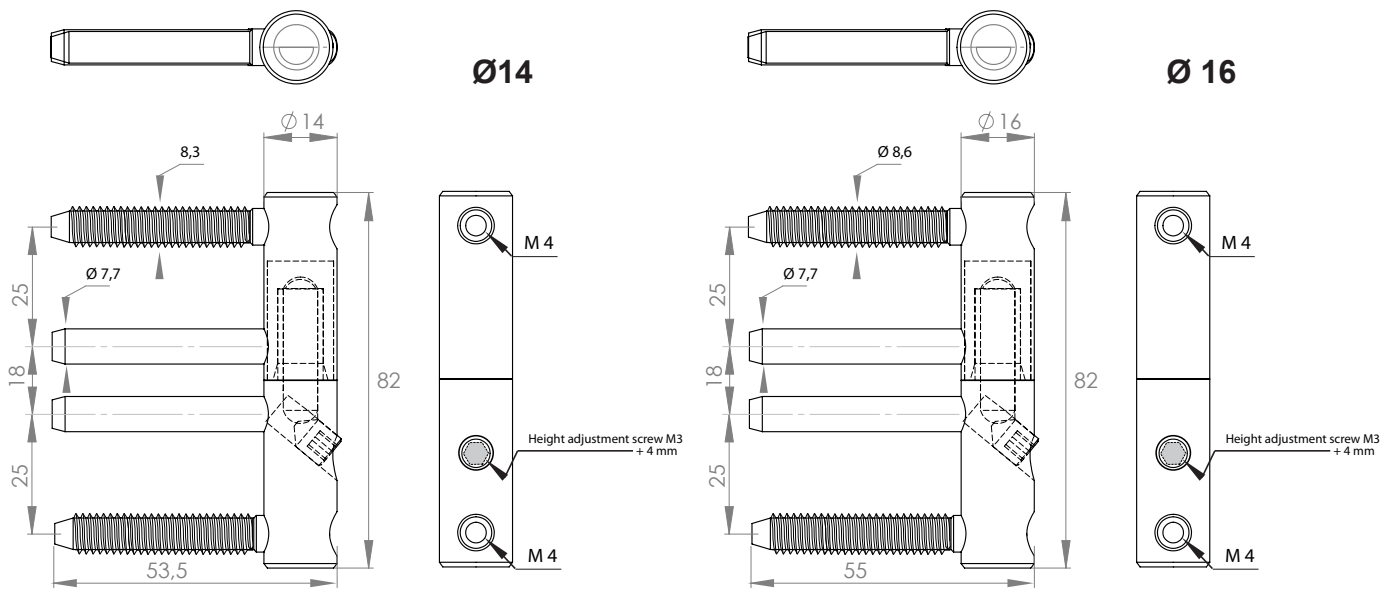
Material: Steel

Size: Ø14 x 82 mm (25-18-25 mm)

Finish: Bright Zinc Plated (BZP) # 15.07.951

Size: Ø16 x 82 mm (25-18-25 mm)

Finish: Yellow Zinc Plated (YZP) # 15.08.005
Bright Zinc Plated (BZP) # 15.08.006



ALUMINIUM COVER CAP



Chrome Plated

Application: Cover for pin door hinge

Material: Aluminium

Size: Ø14 x 46,5 mm

Finish: Chrome Plated (CPL) # 15.07.955

Size: Ø16 x 46,5 mm

Finish: Chrome Plated (CPL) # 15.08.010

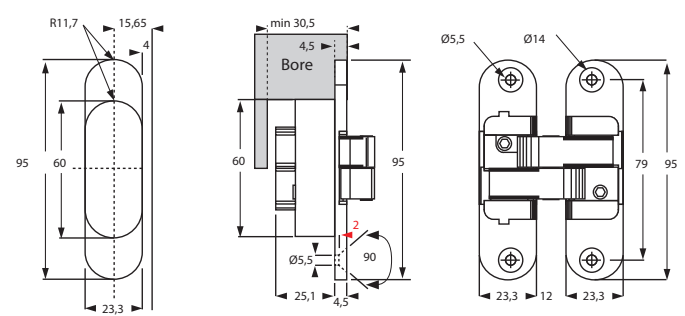
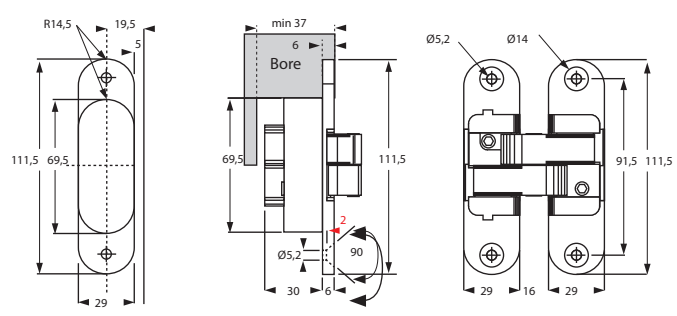
VICI DOOR HINGE (HEAVY DUTY) 3-D ADJUSTMENT

Application:	For heavy duty doors w/3-D adjustment function.	
Door thickness:	Min. 30 mm (15.08.100 & 15.08.105) Min. 40 mm (15.08.110 & 15.08.115)	
Opening:	180 degree	
Max. door size:	W:1000 x H:2700 mm (max. 60 kg. 3 hinges)	
Material:	Zamak	
Size:	95 x 23,3 x 29,6 mm (L/W/D)	
Finish:	Aluminium finish, left hand	# 15.08.100
	Aluminium finish, right hand	# 15.08.105
Size:	111,5 x 29 x 36 mm (L/W/D)	
Finish:	Aluminium finish, left hand	# 15.08.110
	Aluminium finish, right hand	# 15.08.115



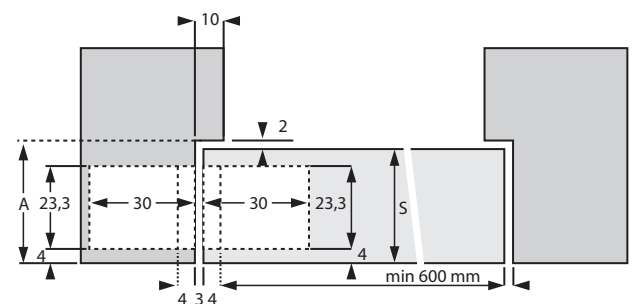
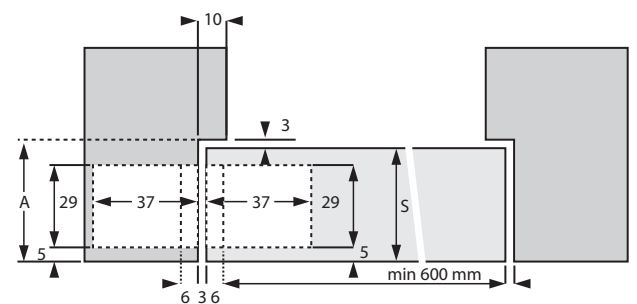
Size: 111,5 x 29 x 36 mm

Size: 95 x 23,3 x 29,6 mm



Size: 111,5 x 29 x 36 mm

Size: 95 x 23,3 x 29,6 mm



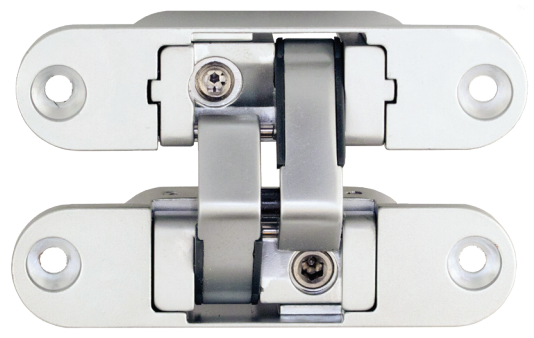
Size A is calculated using door thickness +3 mm+gasket thickness. S = min. 40 mm

Size A is calculated using door thickness +2 mm+gasket thickness. S = min. 30 mm



Right hand model

Left hand model



NOTES

- high quality furniture fittings



A series of horizontal dotted lines spanning the width of the page, intended for taking notes.



- high quality furniture fittings

SISO A/S

Mileparken 11 Phone: (+45) 45 830 900
DK - 2740 Skovlunde (Copenhagen) E-mail: siso@siso.dk
Denmark Web: www.siso.dk