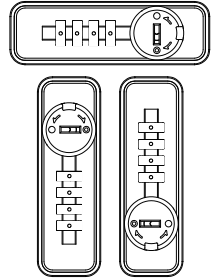
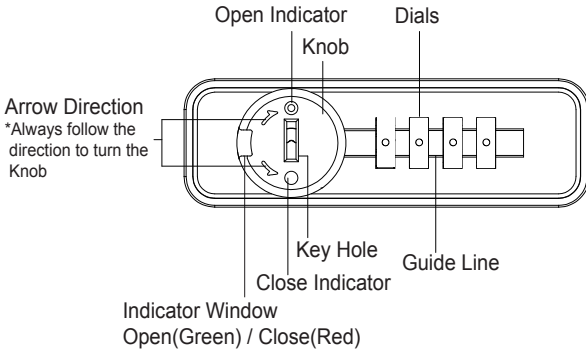


Operation Instruction



Remark:
follow the steps to operate your lock for this product with all version.

How to reset your combination?

1. Turn the Dials and align the factory preset combination 0-0-0-0 with the Guide Line. Follow the Arrow Direction to turn the Knob to Open(Green).
2. Now, you can set your own desired combination before turning the Knob to the Close(Red).
 - **Remember your reset code before closing the door.**
 - Close the door and scramble the Dials before leaving.
Now your cabinet is locked.

How to retrieve the forgotten combination?

1. Insert the master key and turn it clockwise 90 degree.
2. Gently rotate each Dial until it stops or there is a “click” sound.
⚠ NOTE: Hold the Master Key firmly while you turn Dials to retrieve all correct combinations.
3. Turn the Master Key counterclockwise 90 degree to the Close(Red) then withdraw the key.

You can now keep using the retrieved combinations or reset your new desired code.

- **The Master Key operation may be used in an emergency.**
- **Always keep your secret combination in a safe and accessible place for future reference.**

Notice of Installation

- If you assemble the Cam by yourself, please make sure to put the Cam against an obstacle during installation.

